
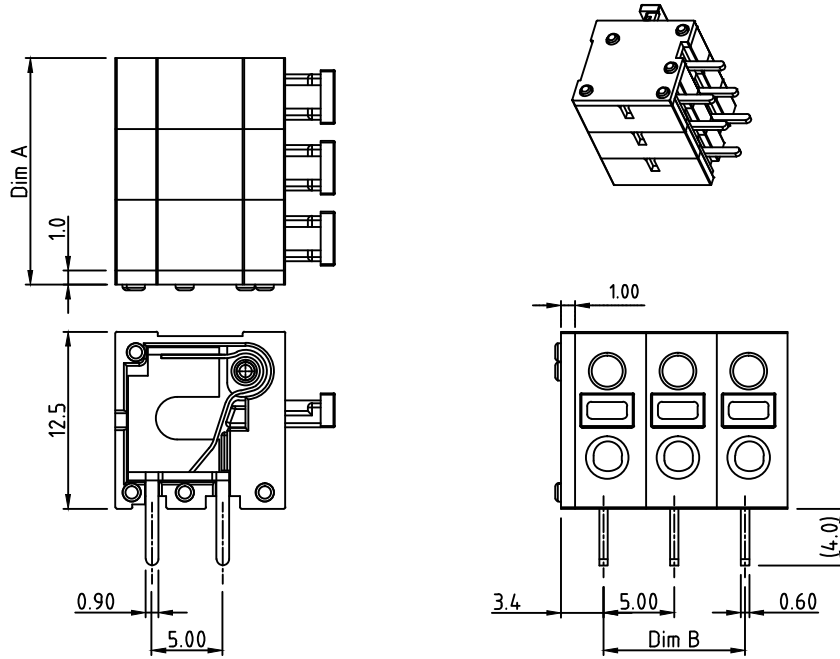
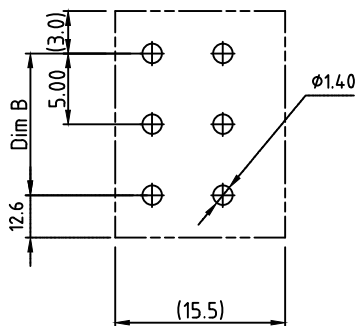


SPECIFICATIONS

Voltage Rating: 300 VAC
 Current Rating: 8 Amps
 Wire Strip Range: 6-7mm
 Dielectric withstanding: 1.6KV
 Wire Range: 16-26 AWG
 Operating Temperature: -40°C~+115°C
 Max Processing Temp: 250°C±10°C for 5 seconds
 Spring Clamp: Stainless Steel
 Contact Pin: Brass with Tin Plated
 Insulator Material: Thermoplastic UL 94V-0
 Safety Approval:  us



N=Number of conacts



PCB LAYOUT

| Dimensions | |
|------------|---------------|
| A | (N-1)x5.0+6.0 |
| B | (N-1)x5.0 |
| Poles | Tolerance |
| 1P-4P | ±0.15 |
| 5P-9P | ±0.20 |
| 10P-14P | ±0.30 |
| 15P-19P | ±0.40 |
| 20P-24P | ±0.50 |


APTOS Technology CONFIDENTIAL
 This document, and all information it contains, are the confidential, proprietary property of APTOS Technology. Disclosure, duplication or distribution of this document, or any information it contains, in whole or part, without prior written permission from APTOS Technology is strictly prohibited

TBSD- xx JA x J -FG

02 2 CONTACTS
 03 3 CONTACTS
 ...
 24 24 CONTACTS

J: Black(RAL9005)
 B: Red(RAL3001/D)
 E: Green(RAL6018/T)
 H: Grey(RAL7035/D)
 I: White(RAL1102)
 C: Multiple Colors

FG: RoHS Compliant
 PB<40000ppm

| GENERAL TOLERANCE UNLESS OTHERWISE SPECIFIED | |
|--|---|
| xxx. ± x | .xx ± 0.10 |
| xx. ± x | .xxx ± x |
| x. ± 0.50 | x.' ± 1' |
| .x ± 0.30 | .x' ± x' |
| REV. A | DRAWN |
| DATE 06/30/2017 | CHECKED |
| SCALE 4:1 | APPROVED |
| UNIT mm |  |

APTOS TECHNOLOGY

05/01/09
TBSD Series
 5.0 mm Horizontal Spring Term Block
 PRODUCT NO. TBSD-XXJAXJ-FG
 FILE NAME: TBSD-XXJAXJ-FG APD.DWG