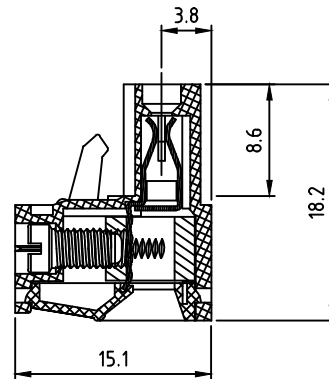
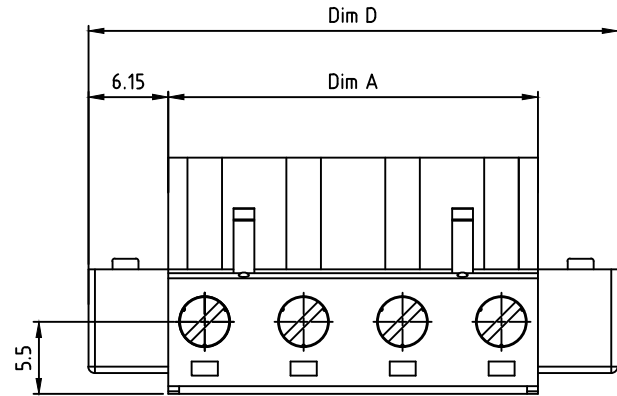


N=Number of contacts



### SPECIFICATIONS

- Voltage Rating: 300VAC
- Current Rating: 20 Amps
- Dielectric withstanding: 1.6KV
- Operating Temperature: -40°C to +115°C
- Contact Material: PhBz, Tin Plated
- Terminal Screw: Steel Zinc plating "-" slot type
- Insulator Material: Thermoplastic, UL 94V-0
- Wire Range:
- Wire Strip Length: 7-8mm
- Solid/Stranded Wire: 12-24 AWG
- Torque: 5.0Lb-In
- Clamp: Brass(CuZn) Ni plated
- Screw: M3
- Flange Screw: Steel M2.5 Zinc plating "+/-" slot type
- Safety Approval: us

RPGQ- xx J A X B -FG

02  
~  
16

FG: RoHS Compliant  
(Lead <4% in Copper Alloy)

- J: Black(RAL9005)
- B: Red(RAL3001/D)
- C: Orange(RAL2011/P)
- D: Yellow(RAL1018/A)
- E: Green(RAL6018/T)
- F: Blue(RAL5015/A)
- H: Grey(RAL7035/D)
- I: White(RAL1102)
- 3: Green(RAL6018/U)

Dimensions		Dimensions	
A	$(N-1) \times 7.62 + 5.62$	C	$(N-1) \times 7.62 + 12.2$
B	$(N-1) \times 7.62$	D	$(N-1) \times 7.62 + 18.0$

Dim A&B

Dim C&D

Poles	Tolerance	Poles	Tolerance
2P-6P	±0.15	2P-6P	±0.25
7P-12P	±0.20	7P-12P	±0.30
13P-16P	±0.30	13P-16P	±0.40

GENERAL TOLERANCE UNLESS OTHERWISE SPECIFIED			
XXX.	± X	.XX	± 0.10
XX.	± X	.XXX	± X
X.	± 0.50	X.'	± 1'
.X	± 0.30	.X'	± 1'
REV.	A	DRAWN	10/21/09
DATE	10/21/09	CHECKED	
SCALE	2.5:1	APPROVED	
UNIT	mm	SIZE	A4

**APTOS TECHNOLOGY**

RPGQ Series  
7.62mm Removable Plug w/Flange  
PRODUCT NO. RPGQ-XXJAEB-FG  
FILE NAME: RPGQ-XXJAXB-FG LF APD.DWG

**APTOS Technology CONFIDENTIAL**  
This document, and all information it contains, are the confidential, proprietary property of APTOS Technology. Disclosure, duplication or distribution of this document, or any information it contains, in whole or part, without prior written permission from APTOS Technology is strictly prohibited.