


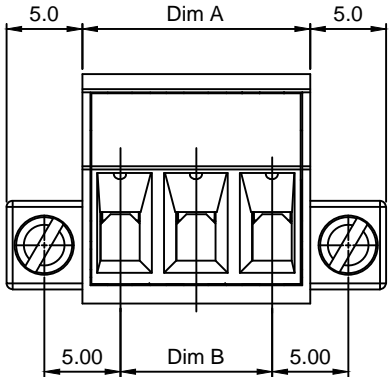
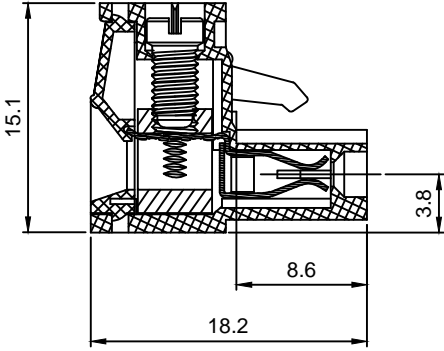
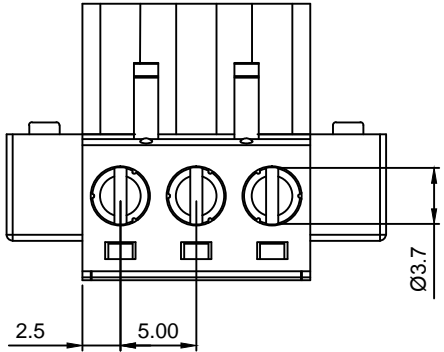


SPECIFICATIONS

- Voltage Rating: 300VAC
- Current Rating: 20 Amps
- Dielectric withstanding: 1.6KV/2.5KV/2.5KV
- Operating Temperature: -40°C to +115°C
- Contact Material: PhBz, Tin Plated
- Terminal Screw: Steel Zinc plating "-" slot type
- Insulator Material: Thermoplastic, UL 94V-0
- Wire Range: 2.5mm²/0.34-2.5mm²
- Wire Strip Length: 7-8mm
- Solid/Stranded Wire: 12-24 AWG
- Torque: 5Lb-In/0.5Nm/0.56Nm
- Clamp: Brass(CuZn) Ni plated
- Screw: M3
- Flange Screw: Steel M2.5 Zinc plating "+/-" slot type
- Safety Approval:   



N=Number of contacts



RPGQ- XX GA X B-FG

- 2-24
- FG: RoHS Compliant Pb<40000ppm
- J: Black(RAL9005)
- B: Red(RAL3001/D)
- C: Orange(RAL2011/P)
- D: Yellow(RAL1018/A)
- E: Green(RAL6018/T)
- F: Blue(RAL5015/A)
- H: Grey(RAL7035/D)

Dimensions	
A	N×5.0
B	(N-1)×5.0

Dim A		Dim B	
Poles	Tolerance	Poles	Tolerance
2P-6P	±0.10	2P-6P	±0.10
7P-12P	±0.20	7P-12P	±0.20
13P-18P	±0.30	13P-18P	±0.25
19P-24P	±0.40	19P-24P	±0.30

APTOS Technology CONFIDENTIAL
 This document, and all information it contains, are the confidential, proprietary property of APTOS Technology. Disclosure, duplication or distribution of this document, or any information it contains, in whole or part, without prior written permission from APTOS Technology is strictly prohibited

GENERAL TOLERANCE UNLESS OTHERWISE SPECIFIED					
XXX. ± X	.XX ± 0.10				
XX. ± X	.XXX ± X				
X. ± 0.50	X.' ± 1'				
.X ± 0.30	.X' ± X'	REV. A	DRAWN	10/20/09	RPGQ Series
DATE 10/20/09	CHECKED	SCALE 3:1	APPROVED	SIZE A4	5.00mm Removable Plug w/Flange
UNIT mm		FILE NAME: RPGQ-XXGAXB-FG LF APD.DWG			