

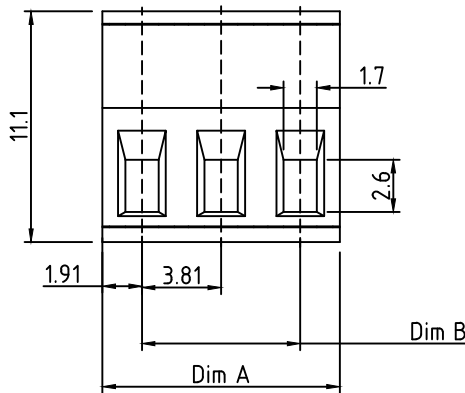
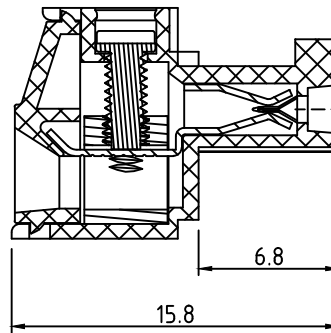
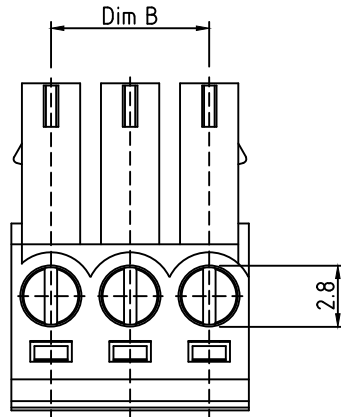


# SPECIFICATIONS

- Voltage Rating: 300VAC
- Current Rating: 10 Amps/10.5 Amps
- Dielectric withstanding: 1.6KV/2.5KV
- Operating Temperature: -40°C to +115°C
- Contact Material: PhBz, Tin Plated
- Terminal Screw: Steel Zinc plating "-" slot type
- Insulator Material: Thermoplastic, UL 94V-0
- Wire Range: 1.5mm<sup>2</sup>
- Wire Strip Length: 6-7mm
- Solid/Stranded Wire: 16-28 AWG
- Torque: 3.0Lb-In/0.2Nm
- Clamp: Brass(CuZn) Ni plated
- Screw: M2
- Safety Approval:  



N=Number of contacts

Dimensions	
A	N×3.81
B	(N-1)×3.81

Poles	Tolerance
2P-6P	±0.15
7P-12P	±0.20
13P-18P	±0.25
19P-24P	±0.30

RPGQ-XX CA X CJ-FG

02  
~  
24

FG: RoHS Compliant  
Pb<40000ppm


- J: Black(RAL9005)
- B: Red(RAL3001/D)
- C: Orange(RAL2011/P)
- D: Yellow(RAL1018/A)
- E: Green(RAL6018/T)
- F: Blue(RAL5015/A)
- H: Grey(RAL7035/D)

CP: Optional Custom Printing

GENERAL TOLERANCE UNLESS OTHERWISE SPECIFIED

XXX. ± X	.XX ± 0.10
XX. ± X	.XXX ± X
X. ± 0.50	X.' ± 1'
.X ± 0.30	.X' ± 1'



REV. A	DRAWN	10/20/09
DATE 10/20/09	CHECKED	
SCALE 4:1	APPROVED	
UNIT mm		SIZE A4

RPGQ Series  
3.81 mm Removable Plug  
PRODUCT NO. RPGQ-XXCAXCJ-FG  
FILE NAME RPGQ-XXCAXCJ-FG LF APD.DWG

APTOS Technology CONFIDENTIAL  
This document, and all information it contains, are the confidential, proprietary property of APTOS Technology. Disclosure, duplication or distribution of this document, or any information it contains, in whole or part, without prior written permission from APTOS Technology is strictly prohibited