

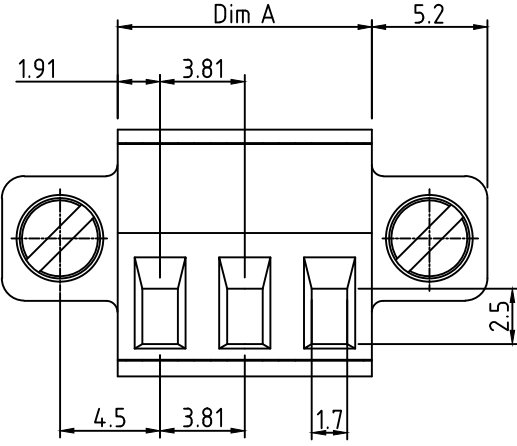
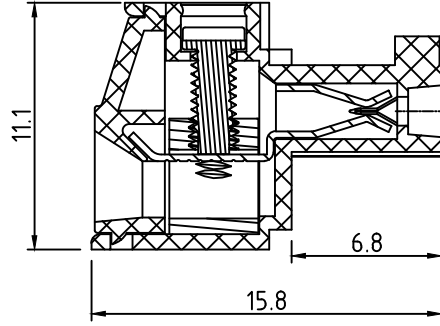
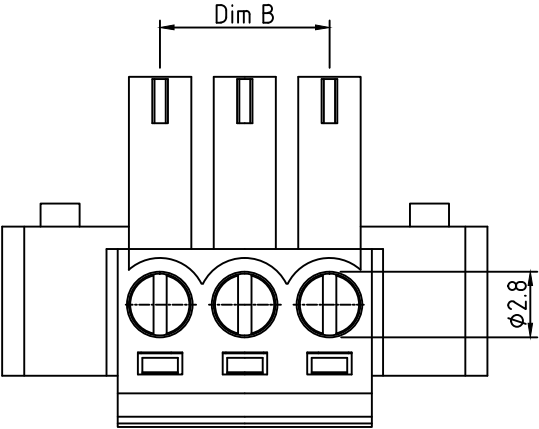


SPECIFICATIONS

- Voltage Rating: 300VAC
- Current Rating: 10 Amps/10.5 Amps
- Dielectric withstanding: 1.6KV/2.5KV
- Operating Temperature: -40°C to +115°C
- Contact Material: PhBz, Tin Plated
- Terminal Screw: Steel Zinc plating "-" slot type
- Insulator Material: Thermoplastic, UL 94V-0
- Wire Range: 1.5mm²
- Wire Strip Length: 6-7mm
- Solid/Stranded Wire: 16-28 AWG
- Torque: 3.0Lb-In/0.2Nm
- Clamp: Brass(CuZn) Ni plated
- Screw: M2
- Flange Screw: Steel M2.5 Zinc plating "+/-" slot type
- Safety Approval:  



N=Number of contacts

Dimensions	
A	N×3.81
B	(N-1)×3.81

Dim A	
Poles	Tolerance
2P-6P	±0.15
7P-12P	±0.20
13P-18P	±0.25
19P-24P	±0.30

Dim B	
Poles	Tolerance
2P-6P	±0.10
7P-12P	±0.15
13P-18P	±0.20
19P-24P	±0.25

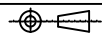
RPGQ-xx CA x BJ-FG

- NO. OF POLES
 - 2 POLES
 - 3 POLES
 - ...
 - 24 POLES
- J: Black(RAL9005)
- B: Red(RAL3001/D)
- C: Orange(RAL2011/P)
- D: Yellow(RAL1018/A)
- E: Green(RAL6018/T)
- F: Blue(RAL5015/A)
- H: Grey(RAL7035/D)

FG: RoHS Compliant
Pb<40000ppm

CP: Optional Custom Printing

APTOS Technology CONFIDENTIAL
This document, and all information it contains, are the confidential, proprietary property of APTOS Technology. Disclosure, duplication or distribution of this document, or any information it contains, in whole or part, without prior written permission from APTOS Technology is strictly prohibited

GENERAL TOLERANCE UNLESS OTHERWISE SPECIFIED		
XXX. ± X	.XX ± 0.10	
XX. ± X	.XXX ± X	
X. ± 0.50	X.* ± 1"	
.X ± 0.30	.X.* ± 1"	
REV. A	DRAWN	10/20/09
DATE 10/20/09	CHECKED	
SCALE As shown	APPROVED	
UNIT mm		SIZE A4



RPGQ Series	
3.81mm Removable Plug W/Flange	
PRODUCT NO. RPGQ-XXCAXBJ-FG	
FILE NAME: RPGQ-XXCAXBJ-FG APD.DWG	