

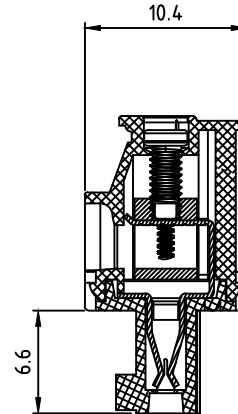
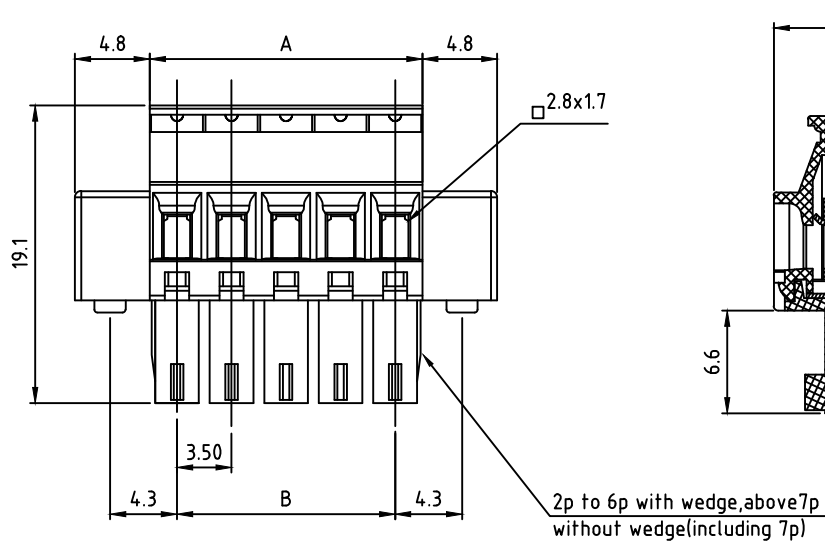
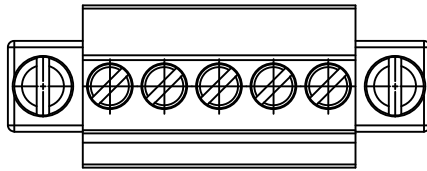


SPECIFICATIONS

- Voltage Rating: 300VAC/300VAC
- Current Rating: 8 Amps/10 Amps
- Dielectric withstanding: 1.6KV/2.5KV
- Operating Temperature: -40°C to +115°C
- Contact Material: PhBz, Tin Plated
- Terminal Screw: Steel Zinc plating "-" slot type
- Insulator Material: Thermoplastic, UL 94V-0
- Wire Range: 1.5mm²
- Wire Strip Length: 6-7mm
- Solid/Stranded Wire: 16-28 AWG
- Torque: 1.7Lb-In/0.2Nm
- Clamp: Brass(CuZn) Ni plated
- Screw: M2
- Flange Screw: Steel Zinc plating M2.5 "+/-" slot type
- Safety Approval:  



RPGH-XXAAX3-FG

02 pole
 "" ""
 24 pole

- J: Black(RAL9005)
- B: Red(RAL3001/D)
- C: Orange(RAL2011/P)
- D: Yellow(RAL1018/A)
- E: Green(RAL6018/T)
- F: Blue(RAL5015/A)
- H: Grey(RAL7035/D)

FG: RoHS Compliant
 Pb<4000ppm

N = Number of contacts

APTOS Technology CONFIDENTIAL
 This document, and all information it contains, are the confidential, proprietary property of APTOS Technology. Disclosure, duplication or distribution of this document, or any information it contains, in whole or part, without prior written permission from APTOS Technology is strictly prohibited.

Dimensions	
A	N×3.5
B	(N-1)×3.5
Poles	Tolerance
2P-8P	±0.10
9P-16P	±0.20
17P-24P	±0.30

GENERAL TOLERANCE UNLESS OTHERWISE SPECIFIED	
XXX. ± X	.XX ± 0.10
XX. ± X	.XXX ± X
X. ± 0.50	X.' ± 1'
.X ± 0.30	.X' ± 1'
REV. A	DRAWN
DATE 10/19/09	CHECKED
SCALE 1:1	APPROVED
UNIT mm	



10/19/09	RPGH Series
	3.50 mm Side Entry Plug w/Flange
PRODUCT NO.	RPGH-XXAAE3-FG
FILE NAME	RPGH-XXAAE3-FG LF APD.DWG

SIZE A4