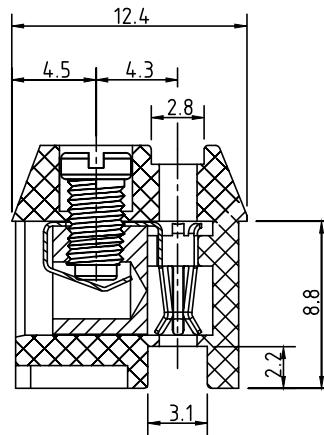
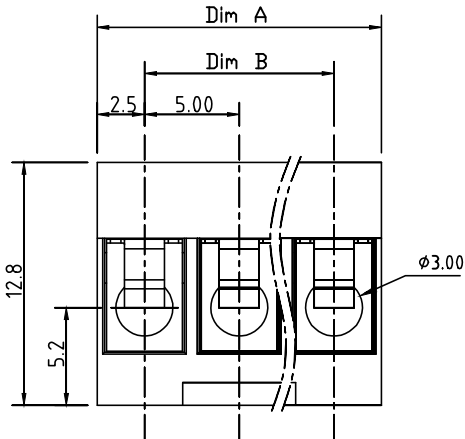


SPECIFICATIONS

Voltage Rating: 300VAC
 Current Rating: 10 Amps
 Dielectric withstanding: 1.6KV
 Operating Temperature: -40°C to +115°C
 Contact Material: PhBz, Tin Plated
 Terminal Screw: Steel Zinc plating "-" slot type
 Insulator Material: Thermoplastic, UL 94V-0
 Wire Range:
 Wire Strip Length: 6-7mm
 Solid/Stranded Wire: 12-26 AWG
 Torque: 3.5Lb-In
 Clamp: Brass(CuZn) Ni plated
 Screw: M3
 Safety Approval:



RPGC- x JA x J-FG

NO. OF POLES: 2 POLES, 3 POLES, 12 POLES
 J: Black(RAL9005)
 B: Red(RAL3001/D)
 C: Orange(RAL2011/P)
 D: Yellow(RAL1018/A)
 E: Green(RAL6018/T)
 F: Blue(RAL5015/A)
 H: Grey(RAL7035/D)
 FG: RoHS Compliant pb<4000ppm

APTOS Technology CONFIDENTIAL
 This document, and all information it contains, are the confidential, proprietary property of APTOS Technology. Disclosure, duplication or distribution of this document, or any information it contains, in whole or part, without prior written permission from APTOS Technology is strictly prohibited

Poles	02	03	04	05	06	07	08	09	10	11	12	
Dim A	10.00	15.00	20.00	25.00	30.00	35.00	40.00	45.00	50.00	55.00	60.00	
Dim B	5.00	10.00	15.00	20.00	25.00	30.00	35.00	40.00	45.00	50.00	55.00	
Tol.	±0.15				±0.25				±0.30			

GENERAL TOLERANCE UNLESS OTHERWISE SPECIFIED			
XXX. ± X	.XX ± 0.10		
XX. ± X	.XXX ± X		
X. ± 0.50	X' ± 1'		
.X ± 0.30	.X' ± X'		
REV. A	DRAWN	09/15/09	RPGC Series
DATE 09/15/09	CHECKED		5.00mm Term. Block-Solid Black
SCALE As shown	APPROVED		PRODUCT NO. RPGC-XXJAXJ-FG
UNIT mm		SIZE A4	FILE NAME: RPGC-XXJAXJ-FG.dwg