
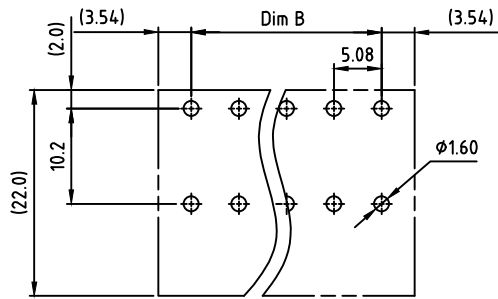
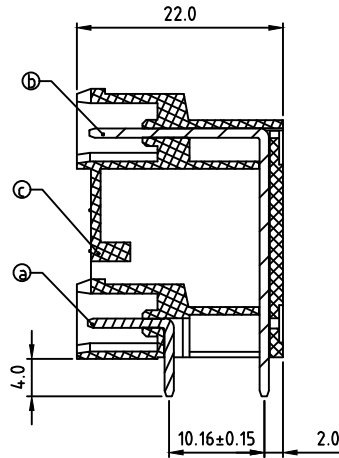
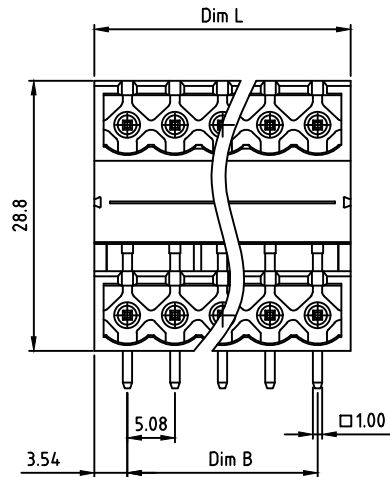
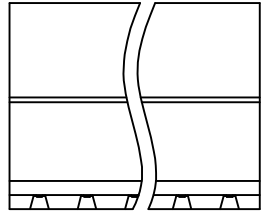


SPECIFICATIONS

Voltage Rating: 300VAC
 Current Rating: 20 Amps
 Dielectric withstanding: 1.6KV
 Operating Temperature: -40°C to +115°C
 Long/Short Male Contact Material: Copper Tin Plated
 Soldering Temperature: 250°C±10°C/5 Secs
 Insulator Material: Thermoplastic, UL 94V-0
 Safety Approval:  us



RECOMMENDED PCB LAYOUT

RPEO-xx EA x A-FG

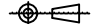
NO. OF POLES: 04: 2x2 POLES, : , : 48: 2x24 POLES
 J: Black(RAL9005)
 B: Red(RAL3001/D)
 C: Orange(RAL2011/P)
 D: Yellow(RAL1018/A)
 E: Green(RAL6018/T)
 F: Blue(RAL5015/A)
 H: Grey(RAL7035/D)
 FG: RoHS Compliant (Lead <40000ppm)

N=NUMBER OF CONTACTS

DIM	TOL			
	2--6P	7--12P	13--18P	19--24P
Dim L	(N-1)×5.08+7.08 ±0.15	±0.25	±0.35	±0.40
Dim B	(N-1)×5.08 ±0.15	±0.25	±0.35	±0.40

APTOS Technology CONFIDENTIAL
 This document, and all information it contains, are the confidential, proprietary property of APTOS Technology. Disclosure, duplication or distribution of this document, or any information it contains, in whole or part, without prior written permission from APTOS Technology is strictly prohibited

GENERAL TOLERANCE UNLESS OTHERWISE SPECIFIED	
xxx. ± X	.xx ± 0.10
xx. ± X	.xxx ± X
X. ± 0.50	X.* ± 1'
.X ± 0.30	.X* ± X'

REV.	A	DRAWN	JAG	6/5/18
DATE	08/15/2017	CHECKED		
SCALE	As shown	APPROVED		
UNIT	mm		SIZE	A4



RPEO Series
 Right Angle Removable Plug - 5.08
 PRODUCT NO. RPEO-XXEAXA-FG
 FILE NAME: RPEO-XXEAXA-FG.dwg