

Key B Type

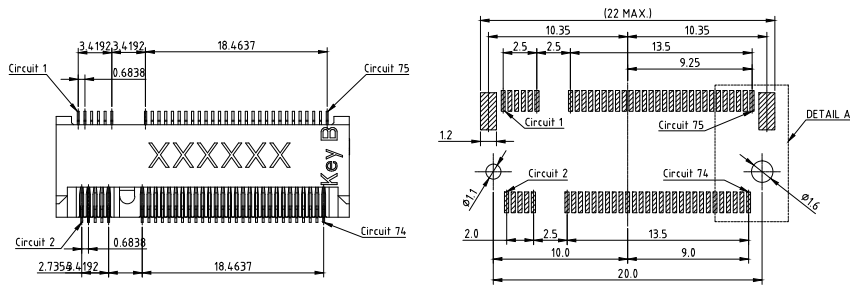
Features

Available Number of Circuits: 67

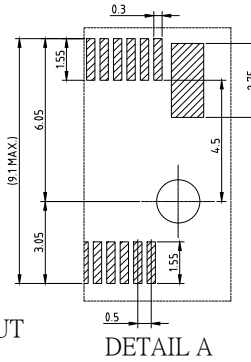
Material: High Temperature Thermoplastic UL94V-0

Contact: 0.15mm(.006") Copper Alloy, Gold plated

Part No. : 1205-RSB0167XX-X



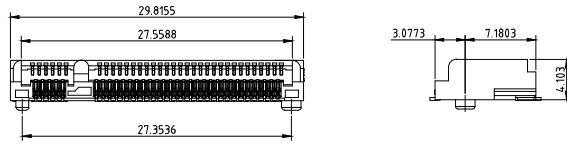
P.C.B LAYOUT



DETAIL A

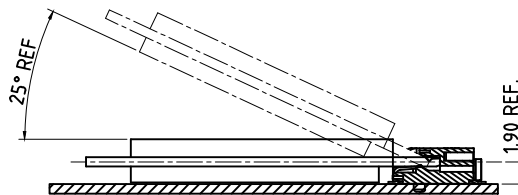
SPECIFICATIONS

Circuits: 67
 Pitch: 0.50mm
 Current Rating: 0.5 Amps AC/DC
 Insulator Resistance: 500 Megohms min.
 Voltage Rating: 50V AC/DC
 Dielectric withstanding: AC 300V
 Operating Temperature: -40°C~+80°C
 Contact Resistance: 55m Max.



Assembly Layout

Right Angle SMT Type

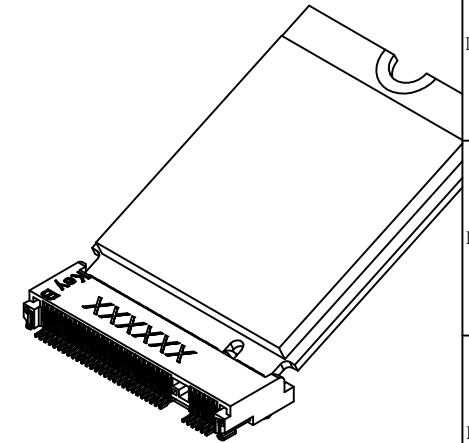


NGFF-67 VXX X-FG

NO. OF POLES: 67 POLES
 FG: RoHS Compliant
 Packaging: K:Reel

Definition	Code
● Gold plated:	
flash VB	10μ* VE
5μ* VD	15μ* VF
	30μ* VJ
Standard: VB	

Key Type
 B: B Type
 M: M Type
 E: E Type



APTOS Technology CONFIDENTIAL
 This document, and all information it contains, are the confidential, proprietary property of APTOS Technology. Disclosure, duplication or distribution of this document, or any information it contains, in whole or part, without prior written permission from APTOS Technology is strictly prohibited

GENERAL TOLERANCE UNLESS OTHERWISE SPECIFIED

XXX. ± X	.XX ± 0.10
XX. ± X	.XXX ± X
X. ± 0.50	X.' ± 1"
.X ± 0.30	.X' ± X"

APTOS TECHNOLOGY

REV. A	DRAWN	09/15/09
DATE 06/27/2017	CHECKED James G.	
SCALE As shown	APPROVED	
UNIT mm		

NGFF Series	
0.50mm Pitch Card 67P Connector	
PRODUCT NO. NGFF-67VXXX-FG	
FILE NAME: NGFF-67VXXX-FG.dwg	

Key M Type

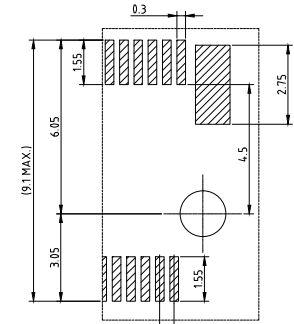
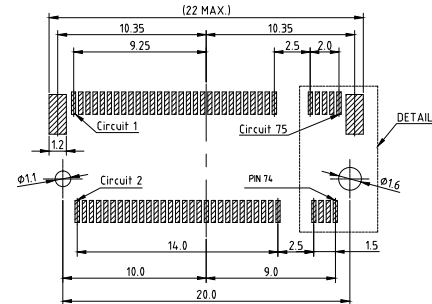
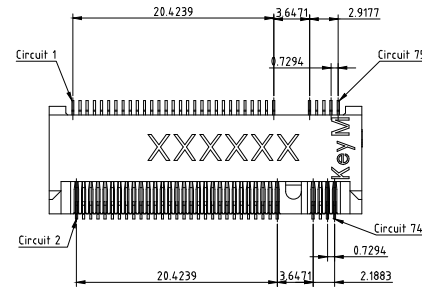
Features

Available Number of Circuits: 67

Material: High Temperature Thermoplastic UL94V-0

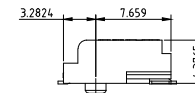
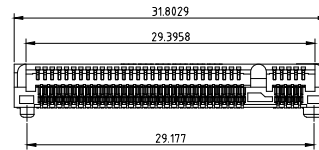
Contact: 0.15mm(.006") Copper Alloy, Gold plated

Part No. : 1205-RSM0167XX-X



P.C.B LAYOUT

DETAIL A



Key E Type

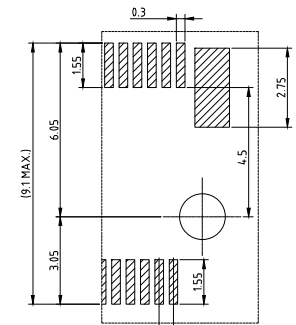
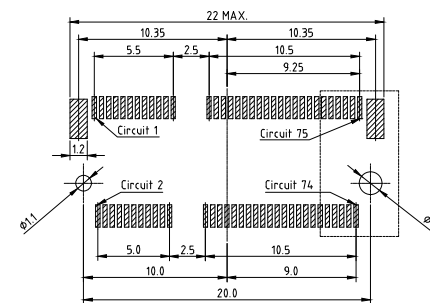
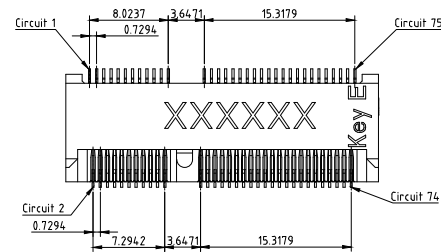
Features

Available Number of Circuits: 67

Material: High Temperature Thermoplastic UL94V-0

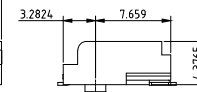
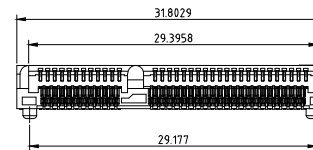
Contact: 0.15mm(.006") Copper Alloy, Gold plated

Part No. : 1205-RSE0167XX-X



P.C.B LAYOUT

DETAIL A



GENERAL TOLERANCE UNLESS OTHERWISE SPECIFIED

XXX. ± X	.XX ± 0.10
XX. ± X	.XXX ± X
X. ± 0.50	X.' ± 1"
.X ± 0.30	.X' ± X"

APTOS TECHNOLOGY

APTOS Technology CONFIDENTIAL
This document, and all information it contains, are the confidential, proprietary property of APTOS Technology. Disclosure, duplication or distribution of this document, or any information it contains, in whole or part, without prior written permission from APTOS Technology is strictly prohibited

REV. A	DRAWN	09/15/09
DATE 06/27/2017	CHECKED James G.	
SCALE As shown	APPROVED	
UNIT mm		SIZE A4

NGFF Series
0.50mm Pitch Card 67P Connector
PRODUCT NO. NGFF-67VXXX-FG
FILE NAME: NGFF-67VXXX-FG.dwg