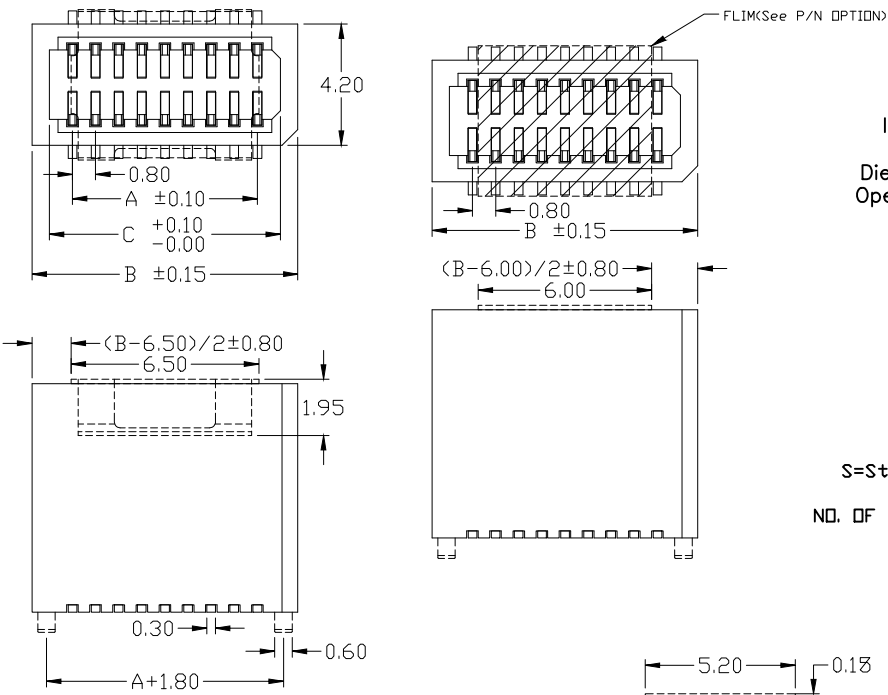


CIRCUITS	DIM A	DIM B	DIM C	REMARK
				With Peg W/O Peg
10	3.20	6.00	4.80	⊕
12	4.00	6.80	5.60	⊕
14	4.80	7.60	6.40	
16	5.60	8.40	7.20	
18	6.40	9.20	8.00	
20	7.20	10.00	8.80	
22	8.00	10.80	9.60	
24	8.80	11.60	10.40	
26	9.60	12.40	11.20	⊕
28	10.40	13.20	12.00	
30	11.20	14.00	12.80	
32	12.00	14.80	13.60	
34	12.80	15.60	14.40	
36	13.60	16.40	15.20	
40	15.20	18.00	16.80	
50	19.20	22.00	20.80	⊕
58	22.40	25.20	24.00	⊕
60	23.20	26.00	24.80	
70	27.20	30.00	28.80	
80	31.20	34.00	32.80	⊕
90	35.20	38.00	36.80	
100	39.20	42.00	40.80	

Diagram	Molding description
○	mass production & assemble mold
⊙	sample & assemble mold
⊕	mass production & fix mold
⊕	sample & fix mold



### SPECIFICATIONS

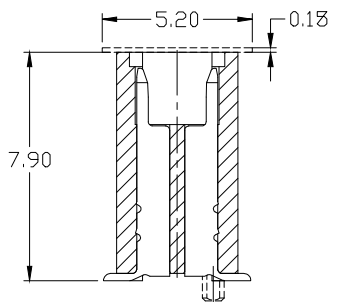
Current Rating: 0.5 Amps AC/DC Max.  
 Insulator Resistance: 100 Megohms min.  
 Contact Resistance: 70m ohm Max.  
 Dielectric withstanding: AC 500V  
 Operating Temperature: -40°~+85°C  
 Contact Material: Phosphor Bronze  
 Insulator Material: High Temperature Thermoplastic, UL 94V-0  
 Color: Natural  
 Finish: Gold all over Nickel

MPVS8-XX XX X X-FG

S=Strait  
 NO. OF CONTACTS  
 FG: RoHS Compliant

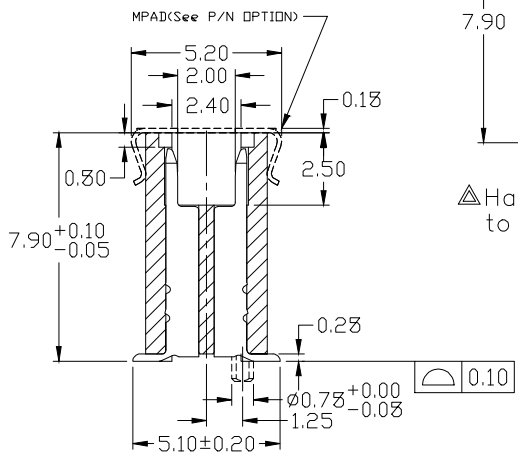
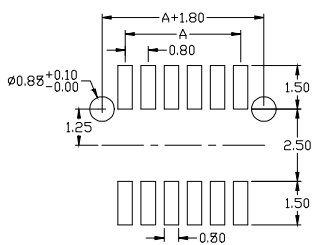
Definition	Code
● Tin plated:	VA
● Gold plated:	
flash VB 10μ"	VE
	15μ" VF
	30μ" VJ
● Standard VB	

Packaging:  
 Null: Tube (w/o Film)  
 K:Reel(w/o Film)  
 C:Film&Reel  
 F:Film&Tube  
 B:Mpad&Reel  
 E:Mpad&Tube



△Harmful Material should be compliant to Doc "FI-0005" standards

Recommended PCB Layout  
 (PCB TOLERANCE ±0.05)



**APTOS Technology CONFIDENTIAL**  
 This document, and all information it contains, are the confidential, proprietary property of APTOS Technology. Disclosure, duplication or distribution of this document, or any information it contains, in whole or part, without prior written permission from APTOS Technology is strictly prohibited

GENERAL TOLERANCE UNLESS OTHERWISE SPECIFIED	
XXX. ± X	.XX ± 0.10
XX. ± X	.XXX ± X
X. ± 0.50	X.' ± 1"
.X ± 0.30	.X' ± X"



REV. A	DRAWN	09/15/09	MPVS8 Series
DATE 09/15/09	CHECKED		0.8mm Board to Board Socket
SCALE As shown	APPROVED		PRODUCT NO. MPVS8-XXXXXX-FG
UNIT mm		SIZE A4	FILE NAME MPVS8-XXXXXX-FG.dwg