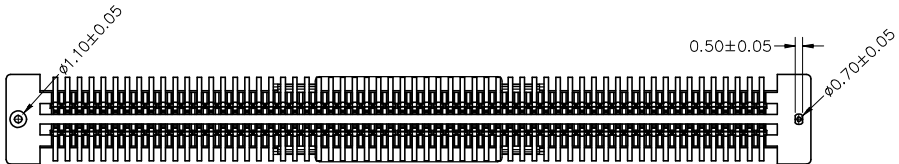
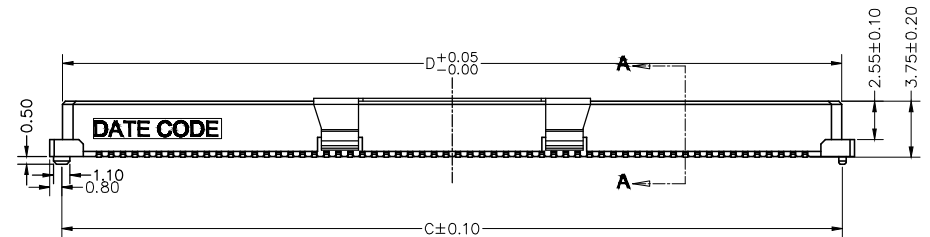
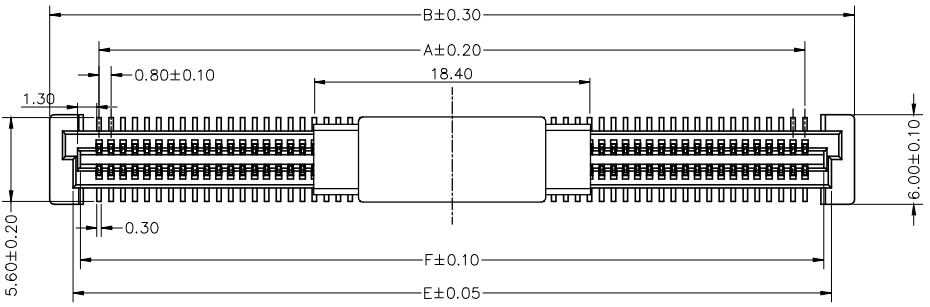


SPECIFICATIONS

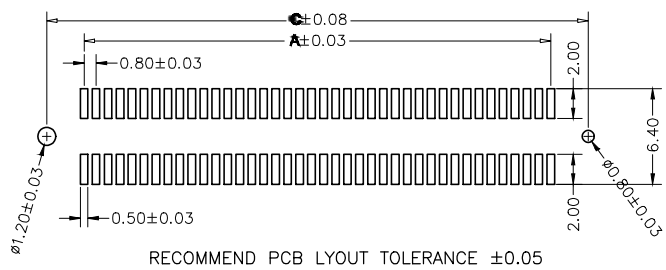
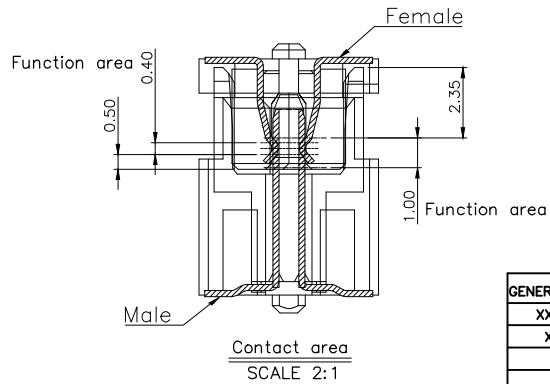
Current Rating: 0.5 Amps AC/DC Max.
 Voltage Rating: 50V
 Operating Temperature: -40~+105°C
 Contact Material: Copper Alloy
 Insulator Material: LCP UL 94V-0
 Color: Natural

MPVS6-XX XX X X-FG

S=Straight
 NO. OF CONTACTS
 PLATING
 Definition Code
 ● Tin plated: VA
 ● Gold plated:
 flash VB 10μ" VE
 3μ" VC 15μ" VF
 5μ" VD 30μ" VJ
 ● Duplex Plating:
 flash VK 10μ" VP
 3μ" VL 15μ" VN
 5μ" VM 30μ" VU
 ● Standard: VB
 FG: RoHS Compliant
 Packaging:
 Null: Tube (w/o Film)
 K: Reel (w/o Film)
 G: Film & Reel
 F: Film & Tube
 B: MPad & Reel
 0: w/o Locating Peg
 1: With Locating Peg



CIRCUITS	DIM.A	DIM.B	DIM.C	DIM.D	DIM.E	DIM.F
40	15.20	21.80	20.20	20.10	18.70	17.70
60	23.20	29.80	28.20	28.10	26.70	25.70
80	31.20	37.80	36.20	36.10	34.70	33.70
100	39.20	45.80	44.20	44.10	42.70	41.70
120	47.20	53.80	52.20	52.10	50.70	49.70
140	55.20	61.80	60.20	60.10	58.70	57.70
160	63.20	69.80	68.20	68.10	66.70	65.70
180	71.20	77.80	76.20	76.10	74.70	73.70
200	79.20	85.80	84.20	84.10	82.70	81.70



GENERAL TOLERANCE UNLESS OTHERWISE SPECIFIED

XXX. ± X	.XX ± 0.10
XX. ± X	.XXX ± X
X. ± 0.50	X.' ± 1"
.X ± 0.30	.X' ± X"

REV. A	DRAWN	09/15/09
DATE 09/15/09	CHECKED	
SCALE As shown	APPROVED	
UNIT mm		



MPVS6 Series
 0.8mm Board to Board Receptacle
 PRODUCT NO. MPVS6-XXXXXX-FG
 FILE NAME: MPVS6-XXXXXX-FG.dwg

APTOS Technology CONFIDENTIAL
 This document, and all information it contains, are the confidential, proprietary property of APTOS Technology. Disclosure, duplication or distribution of this document, or any information it contains, in whole or part, without prior written permission from APTOS Technology is strictly prohibited