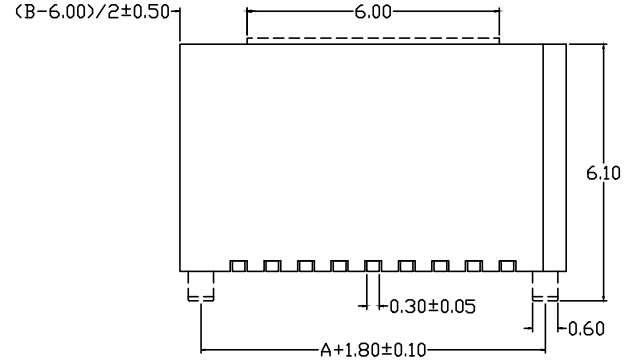
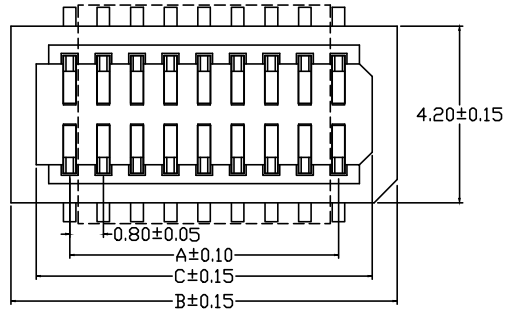


CIRCUITS	DIM A	DIM B	DIM C
10	3.20	6.00	4.80
12	4.00	6.80	5.60
14	4.80	7.60	6.40
16	5.60	8.40	7.20
18	6.40	9.20	8.00
20	7.20	10.00	8.80
22	8.00	10.80	9.60
24	8.80	11.60	10.40
26	9.60	12.40	11.20
28	10.40	13.20	12.00
30	11.20	14.00	12.80
32	12.00	14.80	13.60
34	12.80	18.60	14.40
36	13.60	16.40	15.20
40	15.20	18.00	16.80
50	19.20	22.00	20.80
60	23.20	26.00	24.80
70	27.20	30.00	28.80
80	31.20	34.00	32.80
90	35.20	38.00	36.80
100	39.20	42.00	40.80



### SPECIFICATIONS

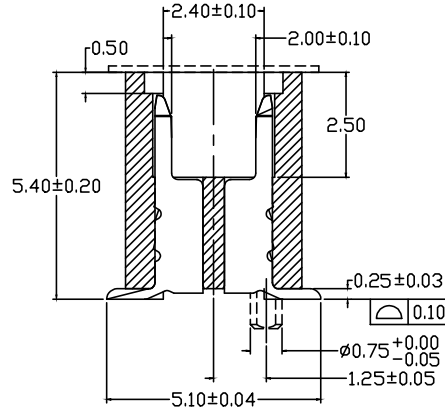
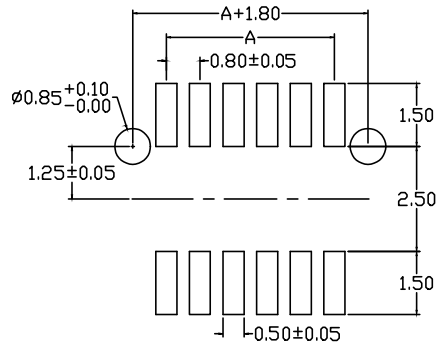
Current Rating: 0.5 Amps AC/DC Max.  
 Insulator Resistance: 100 Megohms min.  
 Contact Resistance: 60m ohm Max.  
 Dielectric withstanding: AC 500V  
 Voltage Rating: 30V  
 Durability: 50 Cycles Min.  
 Contact Material: Copper Alloy  
 Insulator Material: High Temperature Thermoplastic, UL 94V-0  
 Color: Beige

### MPVS3-XX XX X X-FG

S=Straight  
 ND. OF CONTACTS  
 PLATING  
 FG: RoHS Compliant  
 Packaging:  
 Null: Tube (w/o Film)  
 C:Film&Reel  
 F:Film&Tube  
 0:w/o Locating Peg  
 1:With Locating Peg

Definition	Code
⊙ Tin plated:	VA
⊙ Gold plated:	
flash VB 10μ"	VE
	15μ" VF
	30μ" VJ
⊙ Standard VB	

### Recommended PCB Layout (PCB TOLERANCE ±0.03)



APTOS Technology CONFIDENTIAL  
 This document, and all information it contains, are the confidential, proprietary property of APTOS Technology. Disclosure, duplication or distribution of this document, or any information it contains, in whole or part, without prior written permission from APTOS Technology is strictly prohibited

GENERAL TOLERANCE UNLESS OTHERWISE SPECIFIED	
XXX. ± X	.XX ± 0.10
XX. ± X	.XXX ± X
X. ± 0.50	X.' ± 1"
.X ± 0.30	.X' ± X"



REV. A	DRAWN	09/15/09	MPVS3 Series
DATE 09/15/09	CHECKED		0.8mm Board to Board
SCALE As shown	APPROVED		PRODUCT NO. MPVS3-XXXXXX-FG
UNIT mm		SIZE A4	FILE NAME MPVS3-XXXXXX-FG.dwg