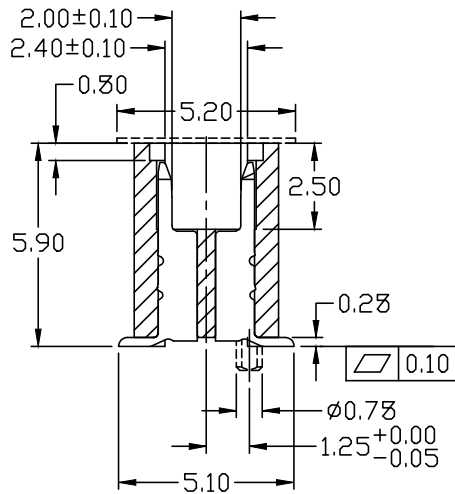


CIRCUITS	DIM A	DIM B	DIM C
10	3.20	6.00	4.80
12	4.00	6.80	5.60
14	4.80	7.60	6.40
16	5.60	8.40	7.20
18	6.40	9.20	8.00
20	7.20	10.00	8.80
22	8.00	10.80	9.60
24	8.80	11.60	10.40
26	9.60	12.40	11.20
28	10.40	13.20	12.00
30	11.20	14.00	12.80
32	12.00	14.80	13.60
34	12.80	15.60	14.40
36	13.60	16.40	15.20
40	15.20	18.00	16.80
50	19.20	22.00	20.80
60	23.20	26.00	24.80
70	27.20	30.00	28.80
80	31.20	34.00	32.80
90	35.20	38.00	36.80
100	39.20	42.00	40.80



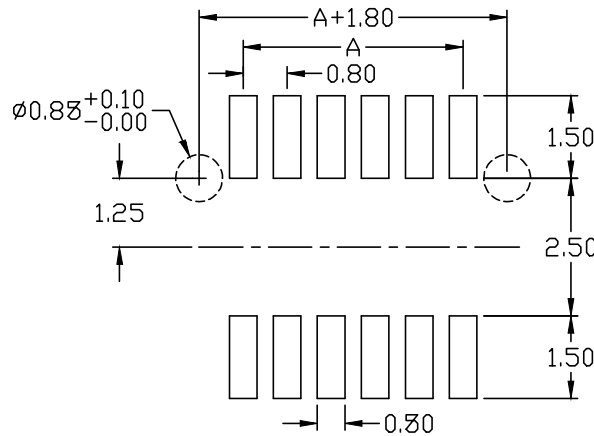
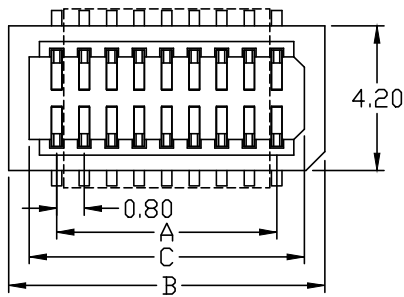
SPECIFICATIONS

Current Rating: 0.5 Amps AC/DC max.
 Insulator Resistance: 100 Megohms min.
 Contact Resistance: 40 Megohms max.
 Dielectric withstanding: 500V AC
 Operating Temperature: -40°C~+105°C

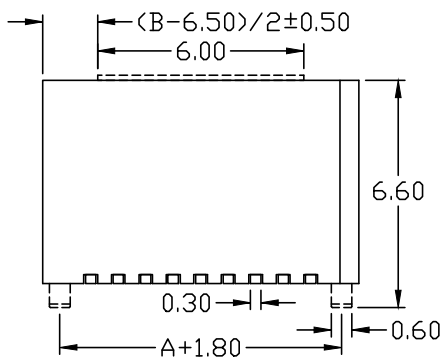
MPVS2-XX XX X X-FG

S= Straight
 NO. OF CONTACTS
 PLATING
 FG: RoHS Compliant
 Packaging:
 Null: Tube (w/o Film)
 K: Reel (w/o Film)
 C: Film & Reel
 F: Film & Tube
 0: W/O Locating Peg
 1: With Locating Peg

Definition	Code
⊙ Gold plated:	
flash VB	15μ" VF
	30μ" VJ
⊙ Standard:	VB



Recommended PCB Layout
(PCB TOLERANCE ±0.05)



APTOS Technology CONFIDENTIAL
 This document, and all information it contains, are the confidential, proprietary property of APTOS Technology. Disclosure, duplication or distribution of this document, or any information it contains, in whole or part, without prior written permission from APTOS Technology is strictly prohibited.

GENERAL TOLERANCE UNLESS OTHERWISE SPECIFIED			
XXX.	± X	.XX	± 0.10
XX.	± X	.XXX	± X
X.	± 0.50	X'	± 1"
.X	± 0.30	.X'	± X'
REV.	A	DRAWN	09/15/09
DATE	09/15/09	CHECKED	
SCALE	As shown	APPROVED	
UNIT	mm	SIZE	A4

APTOS TECHNOLOGY

MPVS2 Series
 Customer Drawing
 PRODUCT NO. MPVS2-XXXXXX-FG
 FILE NAME: MPVS2-XXXXXX-FG.dwg