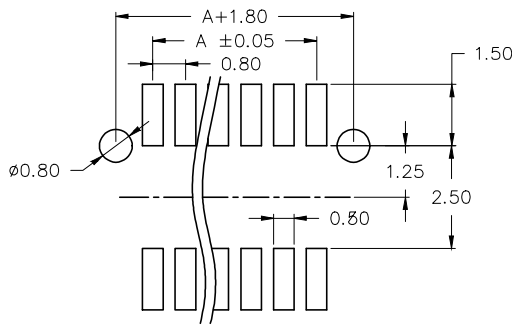
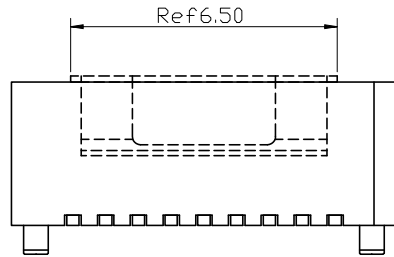
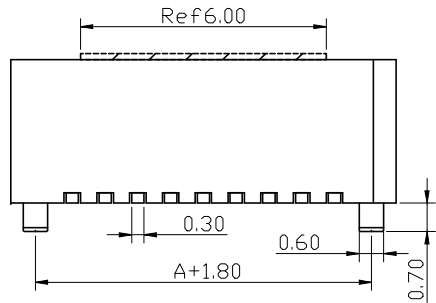
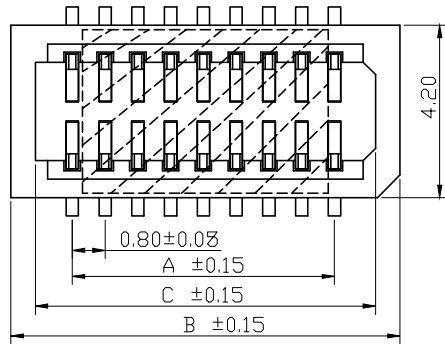


CIRCUITS	DIM A	DIM B	DIM C
10	3.20	5.00	4.80
12	4.00	6.80	5.60
14	4.80	7.60	6.40
16	5.60	8.40	7.20
18	6.40	9.20	8.00
20	7.20	10.00	8.80
22	8.00	10.80	9.60
24	8.80	11.60	10.40
26	9.60	12.40	11.20
28	10.40	13.20	12.00
30	11.20	14.00	12.80
32	12.00	14.80	13.60
34	12.80	15.60	14.40
36	13.60	16.40	15.20
38	14.40	17.20	16.00
40	15.20	18.00	16.80
42	16.00	18.80	17.60
44	16.80	19.60	18.40
46	17.60	20.40	19.20
48	18.40	21.20	20.00
50	19.20	22.00	20.80
52	20.00	22.80	21.60
54	20.80	23.60	22.40
56	21.60	24.40	23.20
58	22.40	25.20	24.00
60	23.20	26.00	24.80
62	24.00	26.80	25.60
64	24.80	27.60	26.40
66	25.60	28.40	27.20
68	26.40	29.20	28.00
70	27.20	30.00	28.80
72	28.00	30.80	29.60
74	28.80	31.60	30.40
76	29.60	32.40	31.20
78	30.40	33.20	32.00
80	31.20	34.00	32.80
90	35.20	38.00	36.80
100	39.20	42.00	40.80



RECOMMENDED PCB LAYOUT
(PCB TOLFRANCF +0.05)

APTOS Technology CONFIDENTIAL
This document, and all information it contains, are the confidential, proprietary property of APTOS Technology. Disclosure, duplication or distribution of this document, or any information it contains, in whole or part, without prior written permission from APTOS Technology is strictly prohibited

SPECIFICATIONS

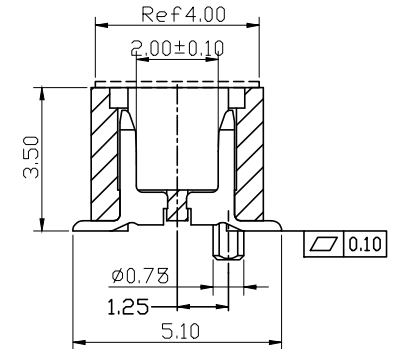
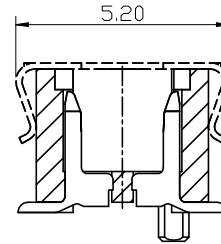
Current Rating: 0.5 Amps AC/DC Max.
Insulator Resistance: 100 Megohms min.
Contact Resistance: 40m ohm Max.
Dielectric withstanding: 500V AC
Contact Material: Copper Alloy
Housing Material: UL94V-0
Color: Natural

MPVS1-XX XX X X-FG

S=Straight
NO. OF CONTACTS
PLATING
FG: RoHS Compliant
Packaging:
Null: Tube (w/o Film)
K:Reel(w/o Film)
C:Film&Reel
B:MPad&Reel

Definition	Code
⊙ Tin plated:	VA
⊙ Gold plated:	
flash VB	10μ" VE
	15μ" VF
	30μ" VJ
⊙ Standard VB	

0:w/o Locating Peg
1:With Locating Peg



GENERAL TOLERANCE UNLESS OTHERWISE SPECIFIED	
XXX. ± X	.XX ± 0.10
XX. ± X	.XXX ± X
X. ± 0.50	X." ± 1"
.X ± 0.30	.X" ± X"

REV. A	DRAWN	09/15/09
DATE 09/15/09	CHECKED	
SCALE As shown	APPROVED	
UNIT mm		

APTOS TECHNOLOGY

MPVS1 Series
CustomerDrawing

PRODUCT NO. MPVS1-XXXXXX-FG
FILE NAME: MPVS1-XXXXXX-FG.dwg

SIZE A4