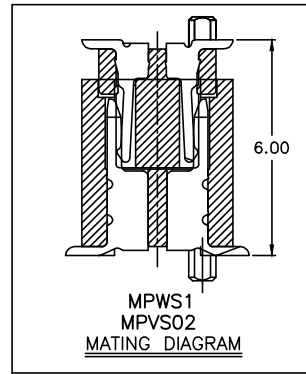
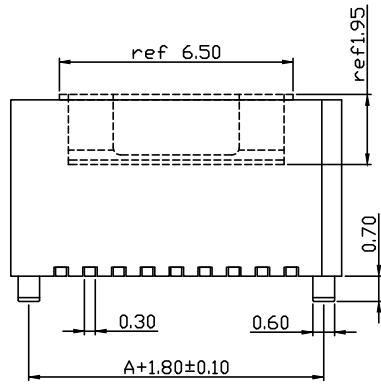
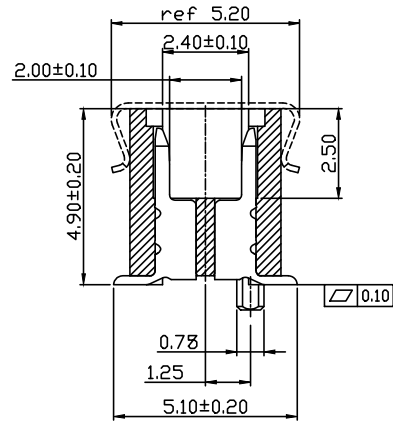
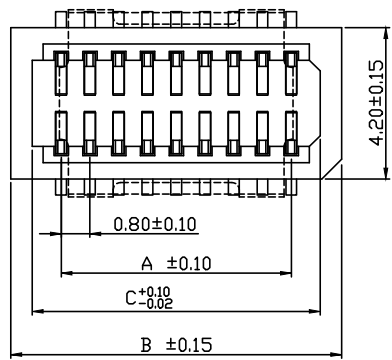


P/N	A	B	C
10	3.20	6.00	4.80
12	4.00	6.80	5.60
14	4.80	7.60	6.40
16	5.60	8.40	7.20
18	6.40	9.20	8.00
20	7.20	10.00	8.80
22	8.00	10.80	9.60
24	8.80	11.60	10.40
26	9.60	12.40	11.20
28	10.40	13.20	12.00
30	11.20	14.00	12.80
32	12.00	14.80	13.60
34	12.80	15.60	14.40
36	13.60	16.40	15.20
38	14.40	17.20	16.00
40	15.20	18.00	16.80
42	16.00	18.80	17.60
44	16.80	19.60	18.40
46	17.60	20.40	19.20
48	18.40	21.20	20.00
50	19.20	22.00	20.80
52	20.00	22.80	21.60
54	20.80	23.60	22.40
56	21.60	24.40	23.20
58	22.40	25.20	24.00
60	23.20	26.00	24.80
62	24.00	26.80	25.60
64	24.80	27.60	26.40
66	25.60	28.40	27.20
68	26.40	29.20	28.00
70	27.20	30.00	28.80
80	31.20	34.00	32.80
90	35.20	38.00	36.80
100	39.20	42.00	40.80



SPECIFICATIONS

Current Rating: 0.5 Amps AC/DC Max.
 Insulator Resistance: 100 Megohms min.
 Contact Resistance: 40m ohm Max.
 Dielectric withstanding: AC 500V
 Insertion Force: 150g Max. per Contact
 Extraction Force: 25g Min. per Contact
 Contact Retention Force: 200g Min. per Contact

MPVS02-XX XX X X-FG

FG: RoHS Compliant

S= Straight

NO. OF CONTACTS

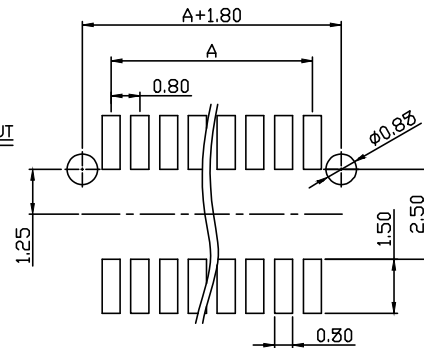
PLATING

Definition	Code
⊙ Tin plated:	VA
⊙ Gold plated:	
flash VB	10μ" VE
	15μ" VF
	30μ" VJ
⊙ Standard VB	

Packaging:
 Null: Tube (w/o Film)
 K: Reel (w/o Film)
 C: Film & Reel
 B: MPad & Reel
 E: MPad & Tube

0: w/o Locating Peg
 1: With Locating Peg

RECOMMENED P.C.BOARD SMD LAYOUT
 (PCB TOLERANCE ±0.05)



GENERAL TOLERANCE UNLESS OTHERWISE SPECIFIED

XXX. ± X	.XX ± 0.10
XX. ± X	.XXX ± X
X. ± 0.50	X.' ± 1"
.X ± 0.30	.X' ± X"

APTOS TECHNOLOGY

REV. A	DRAWN	09/15/09
DATE 09/15/09	CHECKED	
SCALE As shown	APPROVED	
UNIT mm		

MPVS02 Series	
Customer Drawing	
PRODUCT NO. MPVS02-XXXXXX-FG	
FILE NAME MPVS02-XXXXXX-FG.dwg	

APTOS Technology CONFIDENTIAL
 This document, and all information it contains, are the confidential, proprietary property of APTOS Technology. Disclosure, duplication or distribution of this document, or any information it contains, in whole or part, without prior written permission from APTOS Technology is strictly prohibited