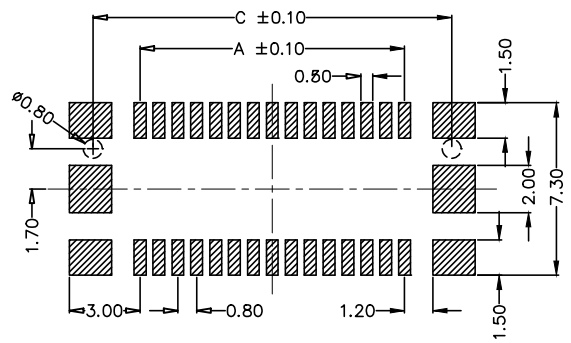
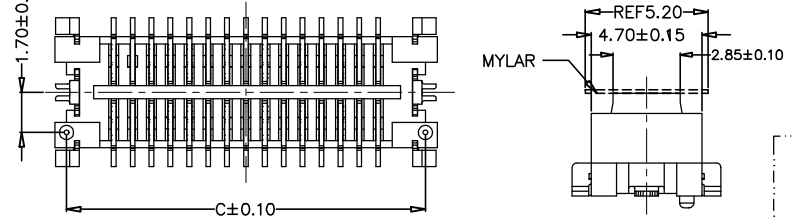
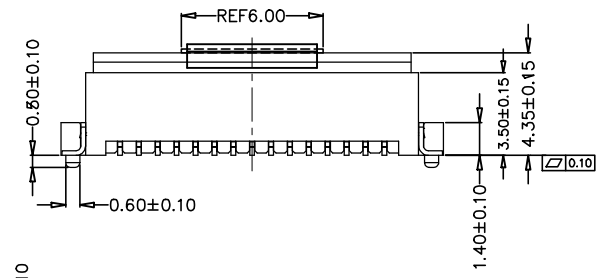
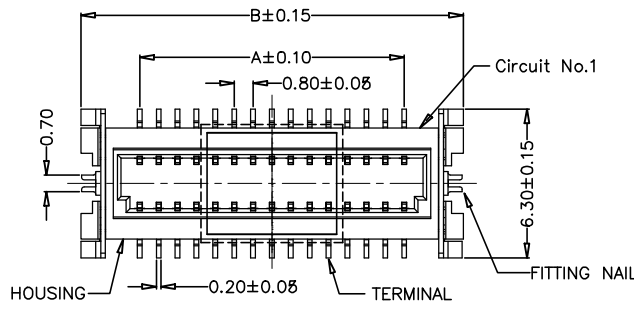


Circuit No.	Dim A	Dim B	Dim C
10	3.2	8.2	7.2
12	4.0	9.0	8.0
14	4.8	9.8	8.8
16	5.6	10.6	9.6
18	6.4	11.4	10.4
20	7.2	12.2	11.2
22	8.0	13.0	12.0
24	8.8	13.8	12.8
26	9.6	14.6	13.6
28	10.4	15.4	14.4
30	11.2	16.2	15.2
32	12.0	17.0	16.0
34	12.8	17.8	16.8
36	13.6	18.6	17.6
38	14.4	19.4	18.4
40	15.2	20.2	19.2
42	16.0	21.0	20.0
44	16.8	21.8	20.8
46	17.6	22.6	21.6
48	18.4	23.4	22.4
50	19.2	24.2	23.2
52	20.0	25.0	24.0
54	20.8	25.8	24.8
56	21.6	26.6	25.6
58	22.4	27.4	26.4
60	23.2	28.2	27.2
62	24.0	29.0	28.0
64	24.8	29.8	28.8
66	25.6	30.6	29.6
68	26.4	31.4	30.4
70	27.2	32.2	31.2
72	28.0	33.0	32.0
74	28.8	33.8	32.8
76	29.6	34.6	33.6
78	30.4	35.4	34.4
80	31.2	36.2	35.2
82	32.0	37.0	36.0
84	32.8	37.8	36.8
86	33.6	38.6	37.6
88	34.4	39.4	38.4
90	35.2	40.2	39.2
100	39.2	44.2	43.2

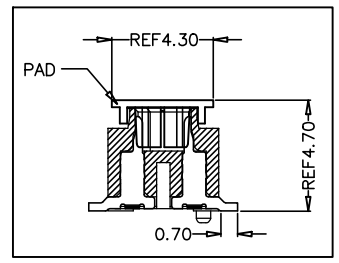
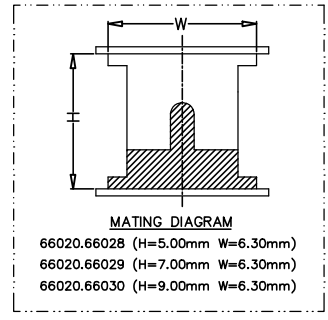


SPECIFICATIONS

Current Rating: 0.3 Amps
 Insulator Resistance: 100 Megohms min.
 Contact Resistance: 70 Megohms max.
 Dielectric withstanding: 500V AC
 Operating Temperature: -40°C~+105°C
 Insertion Force: 150g MAX. Per Contact
 Extraction Force: 25g MIN. Per Contact
 Durability: 30 Cycles Min.
 Contact Retention Force: 200g MIN. Per Contact

MPI8-XX XX X X X-FG

NO. OF CONTACTS
 PLATING
 Definition Code
 Tin plated: VA
 Gold plated:
 flash VB 10μ" VE
 15μ" VF
 30μ" VJ
 Standard: VB
 FG: RoHS Compliant
 Null: With Halogen
 H: Halogen Free
 Packaging:
 Null: Tube (w/o Film)
 K: Reel (w/o Film)
 C: Film & Reel
 F: Film & Tube
 R: Pad & Reel
 0: w/o Locating Peg
 1: With Locating Peg



APTOS Technology CONFIDENTIAL
 This document, and all information it contains, are the confidential, proprietary property of APTOS Technology. Disclosure, duplication or distribution of this document, or any information it contains, in whole or part, without prior written permission from APTOS Technology is strictly prohibited

RECOMMENDED P.C.B LAYOUT (TOP VIEW)
 (PCB TOLERANCE: ±0.05)

GENERAL TOLERANCE UNLESS OTHERWISE SPECIFIED	
XXX. ± X	.XX ± 0.10
XX. ± X	.XXX ± X
X. ± 0.50	X' ± 1"
.X ± 0.30	.X' ± X'



REV.	A	DRAWN	09/15/09	MPI8 Series
DATE	09/15/09	CHECKED		0.8mm Board to Board Micro Pitch
SCALE	As shown	APPROVED		PRODUCT NO. MPI8-XXXXXXX-FG
UNIT	mm		SIZE A4	FILE NAME MPI8-XXXXXXX-FG.dwg