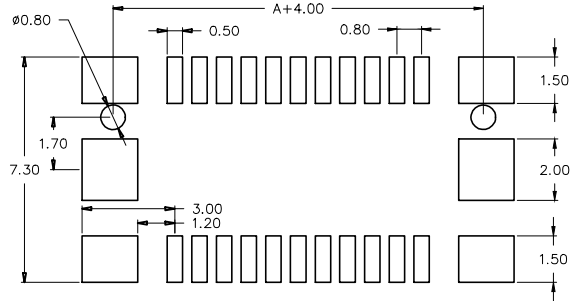
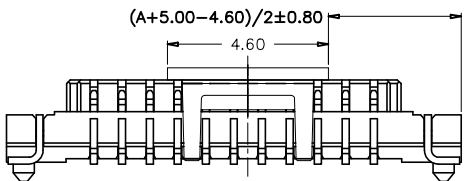
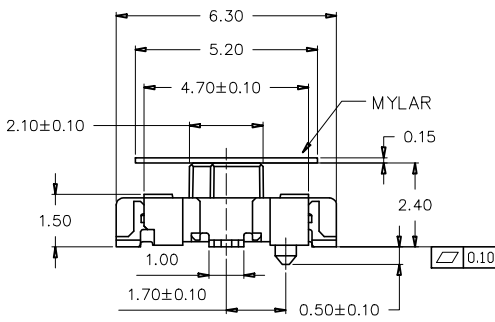
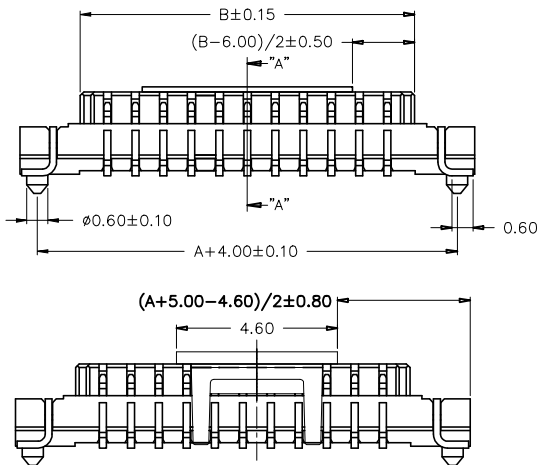
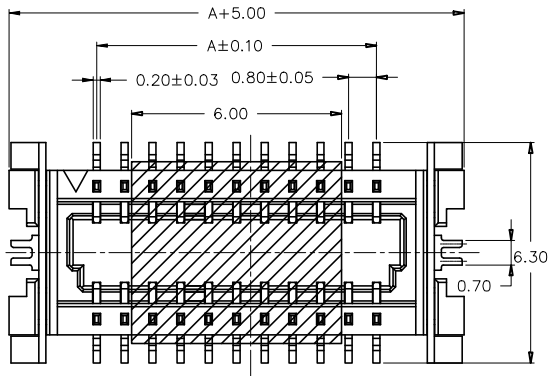


	1	2	3	4	5	6	7	8	9	10
100	39.20	40.75								
98	38.40	39.95								
96	37.60	39.15								
94	36.80	38.35								
92	36.00	37.55								
90	35.20	36.75								
88	34.40	35.95								
86	33.60	35.15								
84	32.80	34.35								
82	32.00	33.55								
80	31.20	32.75								
78	30.40	31.95								
76	29.60	31.15								
74	28.80	30.35								
72	28.00	29.55								
70	27.20	28.75								
68	26.40	27.95								
66	25.60	27.15								
64	24.80	26.35								
62	24.00	25.55								
60	23.20	24.75								
58	22.40	23.95								
56	21.60	23.15								
54	20.80	22.35								
52	20.00	21.55								
50	19.20	20.75								
48	18.40	19.95								
46	17.60	19.15								
44	16.80	18.35								
42	16.00	17.55								
40	15.20	16.75								
38	14.40	15.95								
36	13.60	15.15								
34	12.80	14.35								
32	12.00	13.55								
30	11.20	12.75								
28	10.40	11.95								
26	9.60	11.15								
24	8.80	10.35								
22	8.00	9.55								
20	7.20	8.75								
18	6.40	7.95								
16	5.60	7.15								
14	4.80	6.35								
12	4.00	5.55								
10	3.20	4.75								
08	2.40	3.95								
06	1.60	3.15								
04	0.80	2.35								
IRCUITS	DIM A	DIM B								



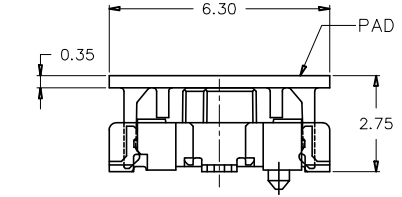
RECOMMENDED PCB LAYOUT  
(PCB TOLERANCE: ±0.05)

## SPECIFICATIONS

Current Rating: 0.5 Amps AC/DC Max.  
 Insulator Resistance: Megohms min.  
 Contact Resistance: 40m ohm Max.  
 Dielectric withstanding: AC 500V  
 Contact Retention: 200g Min. Per contact  
 Extraction Force: 25g Min Per Contact  
 Insertion Force: 150g Max Per Contact

MPHS1-XX XX X X X-FG

S=Straight  
 NO. OF CONTACTS  
 PLATING  
 Definition Code  
 ● Tin plated: VA  
 ● Gold plated: VB  
 FG: RoHS Compliant  
 Null: With Halogen  
 H:Halogen Free  
 Packaging:  
 Null: Tube (w/o Film)  
 K:Reel(w/o Film)  
 C:Film&Reel  
 R:Pad&Reel  
 0:w/o Locating Peg  
 1:With Locating Peg



APTOS Technology CONFIDENTIAL  
 This document, and all information it contains, are the confidential, proprietary property of APTOS Technology. Disclosure, duplication or distribution of this document, or any information it contains, in whole or part, without prior written permission from APTOS Technology is strictly prohibited

GENERAL TOLERANCE UNLESS OTHERWISE SPECIFIED			
XXX.	± X	.XX	± 0.10
XX.	± X	.XXX	± X
X.	± 0.50	X'	± 1"
.X	± 0.30	.X'	± X"
REV.	A	DRAWN	09/15/09
DATE	09/15/09	CHECKED	
SCALE	As shown	APPROVED	
UNIT	mm		



MPHS1 Series  
 0.8mm Board to Board Socket  
 PRODUCT NO. MPHS1-XXXXXXX-FG  
 FILE NAME MPHS1-XXXXXXX-FG.dwg