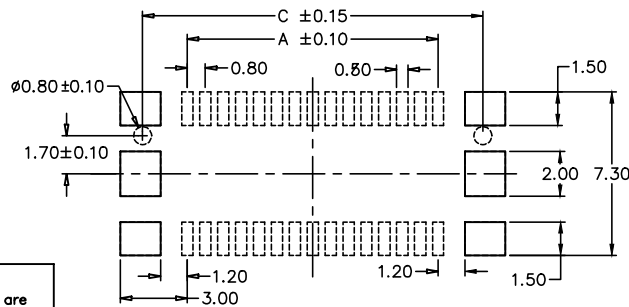
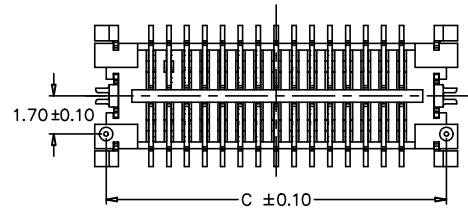
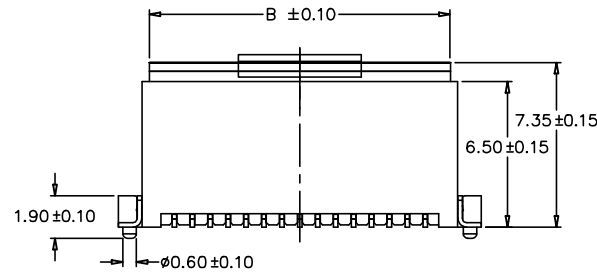
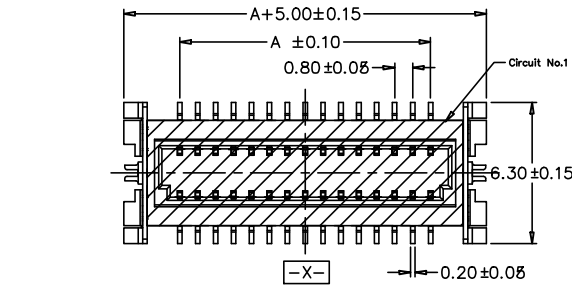


CKT	DIM A	DIM B	DIM C
10	3.20	5.45	7.20
12	4.00	6.25	8.00
14	4.80	7.05	8.80
16	5.60	7.85	9.60
18	6.40	8.65	10.40
20	7.20	9.45	11.20
22	8.00	10.25	12.00
24	8.80	11.05	12.80
26	9.60	11.85	13.60
28	10.40	12.65	14.40
30	11.20	13.45	15.20
32	12.00	14.25	16.00
34	12.80	15.05	16.80
36	13.60	15.85	17.60
38	14.40	16.65	18.40
40	15.20	17.45	19.20
42	16.00	18.25	20.00
44	16.80	19.05	20.80
46	17.60	19.85	21.60
48	18.40	20.65	22.40
50	19.20	21.45	23.20
52	20.00	22.25	24.00
54	20.80	23.05	24.80
56	21.60	23.85	25.60
58	22.40	24.65	26.40
60	23.20	25.45	27.20
62	24.00	26.25	28.00
64	24.80	27.05	28.80
66	25.60	27.85	29.60
68	26.40	28.65	30.40
70	27.20	29.45	31.20
72	28.00	30.25	32.00
74	28.80	31.05	32.80
76	29.60	31.85	33.60
78	30.40	32.65	34.40
80	31.20	33.45	35.20



RECOMMENDED P.C.B LAYOUT (TOP VIEW)
(PCB TOLERANCE ±0.08)

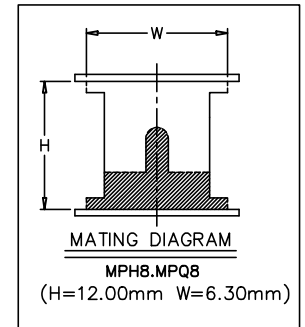
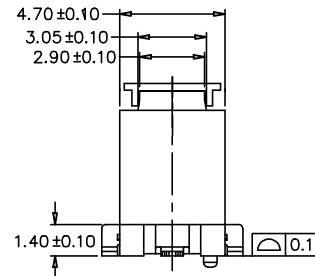
SPECIFICATIONS

Current Rating: 0.5 Amps AC/DC max.
 Insulator Resistance: 100 Megohms min.
 Contact Resistance: 40 Megohms max.
 Voltage Rating: 100V AC/DC
 Dielectric withstanding: 500V AC
 Operating Temperature: -40°C~+85°C
 Housing: High Temp. Thermoplastic
 Insulator Material: UL 94V-0
 Contact: Copper Alloy

MPH8-XX XX X X X-FG

NO. OF CONTACTS ————
 PLATING ————
 FG: RoHS Compliant
 Null: With Halogen
 H: Halogen Free
 Packaging:
 Null: Tube (w/o Film)
 K: Reel (w/o Film)
 C: Film & Reel
 F: Film & Tube
 0: w/o Locating Peg
 1: With Locating Peg

Definition	Code
● Tin plated:	VA
● Gold plated:	
● flush	VB 15µ" VF



GENERAL TOLERANCE UNLESS OTHERWISE SPECIFIED

XXX. ± X	.XX ± 0.10
XX. ± X	.XXX ± X
X. ± 0.50	X.' ± 1"
.X ± 0.30	.X" ± X"

AP APTOS TECHNOLOGY

REV. A	DRAWN	09/15/09
DATE 09/15/09	CHECKED	
SCALE As shown	APPROVED	
UNIT mm		SIZE A4

MPH8 Series
 0.8mm Board to Board Socket
 PRODUCT NO. MPH8-XXXXXX-FG
 FILE NAME MPH8-XXXXXX-FG.dwg

APTOS Technology CONFIDENTIAL
 This document, and all information it contains, are the confidential, proprietary property of APTOS Technology. Disclosure, duplication or distribution of this document, or any information it contains, in whole or part, without prior written permission from APTOS Technology is strictly prohibited