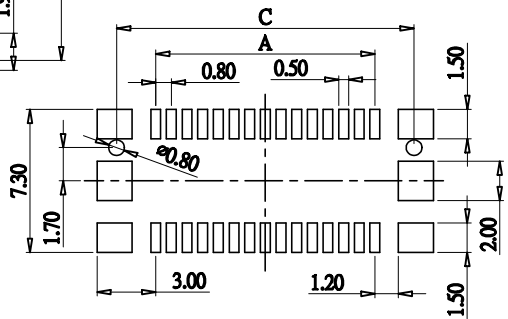
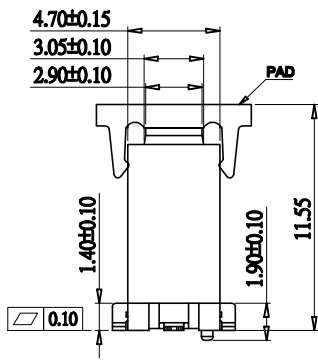
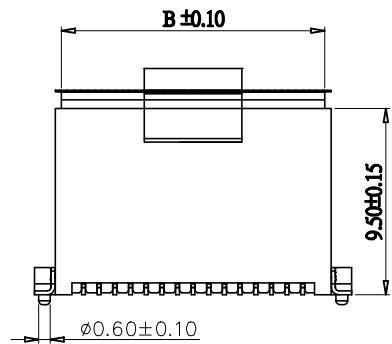
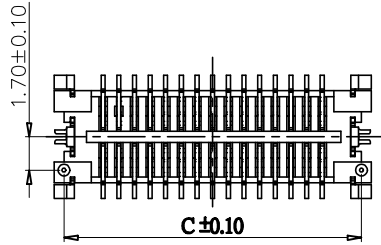
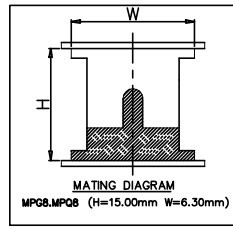
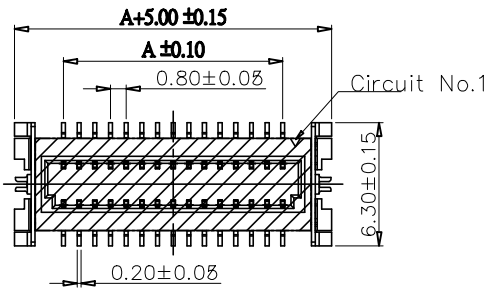


CIRCUIT NO.	DIM A	DIM B	DIM C
10	3.20	5.45	7.20
12	4.00	6.25	8.00
14	4.80	7.05	8.80
16	5.60	7.85	9.60
18	6.40	8.65	10.40
20	7.20	9.45	11.20
22	8.00	10.25	12.00
24	8.80	11.05	12.80
26	9.60	11.85	13.60
28	10.40	12.65	14.40
30	11.20	13.45	15.20
32	12.00	14.25	16.00
34	12.80	15.05	16.80
36	13.60	15.85	17.60
38	14.40	16.65	18.40
40	15.20	17.45	19.20
42	16.00	18.25	20.00
44	16.80	19.05	20.80
46	17.60	19.85	21.60
48	18.40	20.65	22.40
50	19.20	21.45	23.20
52	20.00	22.25	24.00
54	20.80	23.05	24.80
56	21.60	23.85	25.60
58	22.40	24.65	26.40
60	23.20	25.45	27.20
62	24.00	26.25	28.00
64	24.80	27.05	28.80
66	25.60	27.85	29.60
68	26.40	28.65	30.40
70	27.20	29.45	31.20
72	28.00	30.25	32.00
74	28.80	31.05	32.80
76	29.60	31.85	33.60
78	30.40	32.65	34.40
80	31.20	33.45	35.20
82	32.00	34.25	36.00
84	32.80	35.05	36.80
86	33.60	35.85	37.60
88	34.40	36.65	38.40
90	35.20	37.45	39.20
92	36.00	38.25	40.00
94	36.80	39.05	40.80
96	37.60	39.85	41.60
98	38.40	40.65	42.40
100	39.20	41.45	43.20



Recommended PCB layout
(PCB TOLERANCE ±0.05)

SPECIFICATIONS

- Current Rating: 0.5 Amps AC/DC max.
- Insulator Resistance: 500 Megohms min.
- Contact Resistance: 70 Megohms max.
- Voltage Rating: 50V AC/DC
- Dielectric withstanding: 500V AC
- Operating Temperature: -40°C~+85°C
- Housing: High Temp. Thermoplastic
- Insulator Material: UL 94V-0
- Contact: Copper Alloy
- Contact Area: Gold over Nickel

MPG8-XX XX X X-FG

NO. OF CONTACTS ————

PLATING ————

FG: RoHS Compliant

Packaging:
Null: Tube (w/o Film)
K:Reel(w/o Film)
R:Pad&Reel

0:w/o Locating Peg
1:With Locating Peg

Definition	Code
● Tin plated:	VA
● Gold plated:	
flash VB 15µ" VF	

APTOS Technology CONFIDENTIAL
This document, and all information it contains, are the confidential, proprietary property of APTOS Technology. Disclosure, duplication or distribution of this document, or any information it contains, in whole or part, without prior written permission from APTOS Technology is strictly prohibited

GENERAL TOLERANCE UNLESS OTHERWISE SPECIFIED	
XXX. ± X	.XX ± 0.10
XX. ± X	.XXX ± X
X. ± 0.50	X.' ± 1"
.X ± 0.30	.X' ± X"

REV. A	DRAWN	09/15/09
DATE 09/15/09	CHECKED	
SCALE As shown	APPROVED	
UNIT mm		SIZE A4



MPG8 Series
0.8mm Board to Board Socket
PRODUCT NO. MPG8-XXXXXX-FG
FILE NAME MPG8-XXXXXX-FG.dwg