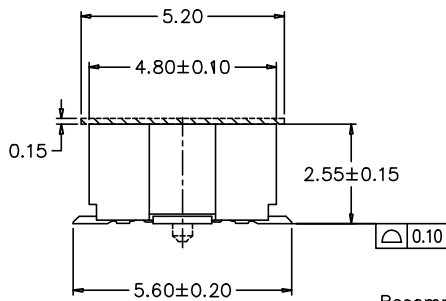
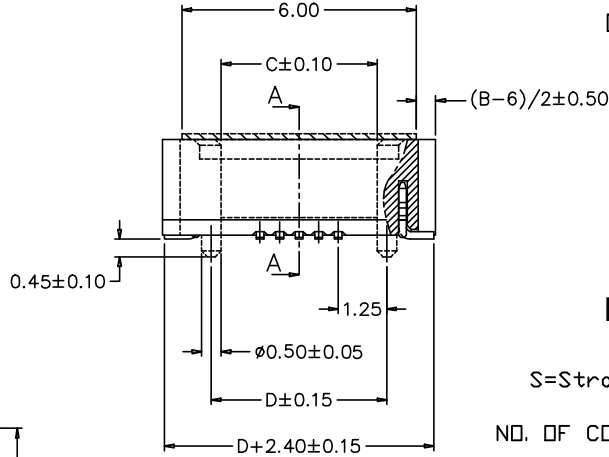
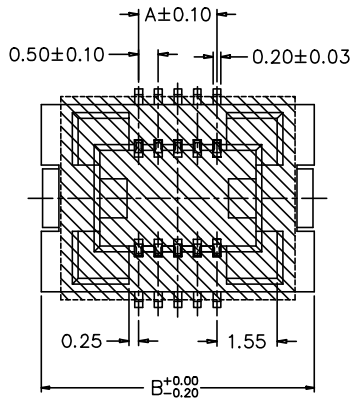
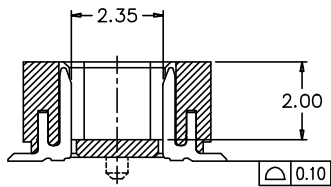
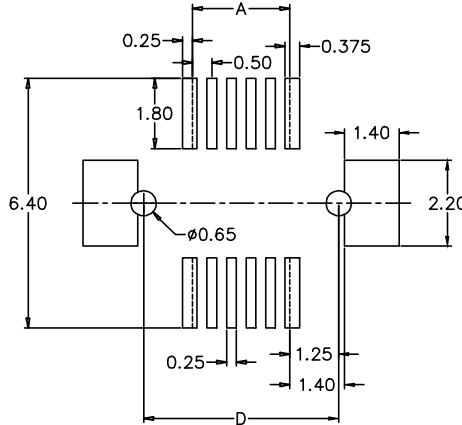


CIRCUITS	DIM A	DIM B	DIM C	DIM D
10	2.00	7.00	4.00	4.50
12	2.50	7.50	4.50	5.00
14	3.00	8.00	5.00	5.50
16	3.50	8.50	5.50	6.00
18	4.00	9.00	6.00	6.50
20	4.50	9.50	6.50	7.00
22	5.00	10.00	7.00	7.50
24	5.50	10.50	7.50	8.00
26	6.00	11.00	8.00	8.50
28	6.50	11.50	8.50	9.00
30	7.00	12.00	9.00	9.50
32	7.50	12.50	9.50	10.00
34	8.00	13.00	10.00	10.50
36	8.50	13.50	10.50	11.00
38	9.00	14.00	11.00	11.50
40	9.50	14.50	11.50	12.00
42	10.00	15.00	12.00	12.50
44	10.50	15.50	12.50	13.00
46	11.00	16.00	13.00	13.50
48	11.50	16.50	13.50	14.00
50	12.00	17.00	14.00	14.50
52	12.50	17.50	14.50	15.00
54	13.00	18.00	15.00	15.50
56	13.50	18.50	15.50	16.00
58	14.00	19.00	16.00	16.50
60	14.50	19.50	16.50	17.00
62	15.00	20.00	17.00	17.50
64	15.50	20.50	17.50	18.00
66	16.00	21.00	18.00	18.50
68	16.50	21.50	18.50	19.00
70	17.00	22.00	19.00	19.50
72	17.50	22.50	19.50	20.00
74	18.00	23.00	20.00	20.50
76	18.50	23.50	20.50	21.00
78	19.00	24.00	21.00	21.50
80	19.50	24.50	21.50	22.00
82	20.00	25.00	22.00	22.50
84	20.50	25.50	22.50	23.00
86	21.00	26.00	23.00	23.50
88	21.50	26.50	23.50	24.00
90	22.00	27.00	24.00	24.50
92	22.50	27.50	24.50	25.00
94	23.00	28.00	25.00	25.50
96	23.50	28.50	25.50	26.00
98	24.00	29.00	26.00	26.50
100	24.50	29.50	26.50	27.00
110	27.00	32.00	29.00	29.50
120	29.50	32.00	31.50	32.00
140	34.50	39.50	36.50	37.00



SECTION A-A

Recommended PCB Layout
(PCB TOLERANCE ±0.05)



SPECIFICATIONS

Current Rating: 0.5 Amps AC/DC Max.
 Insulator Resistance: 100 Megohms min.
 Contact Resistance: 60m ohm Max.
 Dielectric withstanding: AC 500V

MPFS1-XX XX X X-FG

S= Straight

NO. OF CONTACTS

PLATING

FG: RoHS Compliant

Packaging:
 Null: Tube (w/o Film)
 C: Film & Reel
 F: Film & Tube

0: w/o Locating Peg
 1: With Locating Peg

Definition	Code
⊙ Tin plated:	VA
⊙ Gold plated:	
flash VB	10 μm VE
	15 μm VF
	30 μm VJ
⊙ Duplex Plating:	
flash VK	10 μm VP
	15 μm VN
	30 μm VU
⊙ Standard:	VB

GENERAL TOLERANCE UNLESS OTHERWISE SPECIFIED

XXX. ± X	.XX ± 0.10
XX. ± X	.XXX ± X
X. ± 0.50	X' ± 1'
.X ± 0.30	.X' ± X'

APTOS TECHNOLOGY

REV. A	DRAWN	09/15/09
DATE 09/15/09	CHECKED	
SCALE As shown	APPROVED	
UNIT mm		SIZE A4

MPFS1 Series	
0.5mm Board to Board Sockets	
PRODUCT NO.	MPFS1-XXXXXX-FG
FILE NAME	MPFS1-XXXXXX-FG.dwg

APTOS Technology CONFIDENTIAL
 This document, and all information it contains, are the confidential, proprietary property of APTOS Technology. Disclosure, duplication or distribution of this document, or any information it contains, in whole or part, without prior written permission from APTOS Technology is strictly prohibited