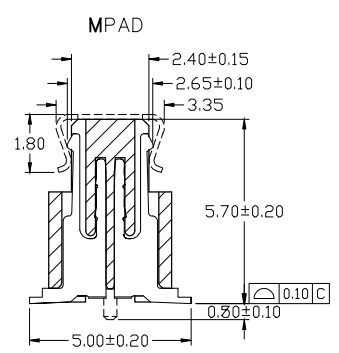
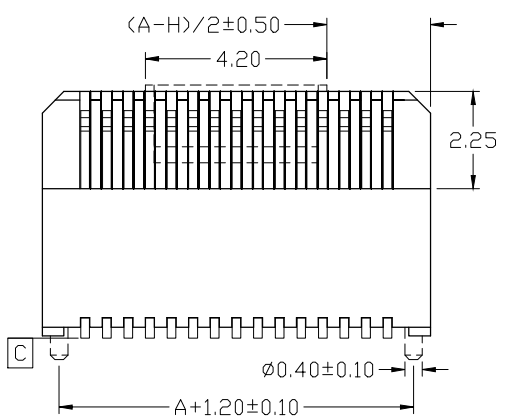
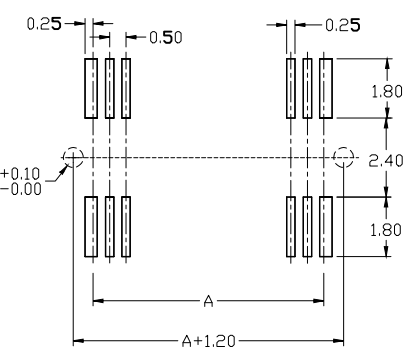
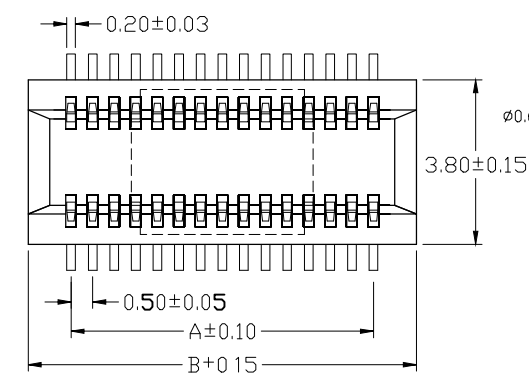


CIRCUITS	DIM A	DIM B	W/O PEG	WITH PEG
10	2.00	3.98		
12	2.80	4.48		
14	3.00	4.98		
16	3.80	8.48	⊕	
18	4.00	8.98		
20	4.80	6.48	⊕	
22	8.00	6.98		
24	5.50	7.48		
26	6.00	7.98		
28	6.80	8.48		
30	7.00	8.98	⊕	
32	7.50	9.48	⊕	
34	8.00	9.98	⊕	
36	8.50	10.48		
38	9.00	10.98		
40	9.50	11.48		
42	10.00	11.98		
44	10.50	12.48		
46	11.00	12.98		
48	11.50	13.48		
50	12.00	13.98	⊕	
52	12.50	14.48		
54	13.00	14.98		
56	13.50	15.48		
58	14.00	15.98		
60	14.50	16.48	⊕	⊕
62	15.00	16.98		
64	15.50	17.48		
66	16.00	17.98		
68	16.50	18.48		
70	17.00	18.98	⊕	
72	17.50	19.48		
74	18.00	19.98		
76	18.50	20.48		
78	19.00	20.98		
80	19.50	21.48		
82	20.00	21.98		
84	20.50	22.48		
86	21.00	22.98	⊕	
88	21.50	23.48		
90	22.00	23.98		
92	22.50	24.48		
94	23.00	24.98		
96	23.50	25.48		
98	24.00	25.98		
100	24.50	26.48		
102	25.00	26.98		
104	25.50	27.48		
106	26.00	27.98		
108	26.50	28.48		
110	27.00	28.98		
112	27.50	29.48		
116	28.00	29.98		
118	28.50	30.48		
120	29.00	30.98		

FILM(20PIN)	H
FILM(20PIN)	ø4.00
FILM(20PIN)	6.00
MPAD	4.20

Diagram	Molding description
○	mass production & assemble mold
⊙	sample & assemble mold
⊕	mass production & fix mold
⊗	sample & fix mold

Recommended PCB Layout
(PCB TOLERANCE ±0.05)



SPECIFICATIONS

Current Rating: 0.3 Amps AC/DC Max.
 Insulator Resistance: 100 Megohms min.
 Contact Resistance: 60m ohm Max.
 Dielectric withstanding: AC 500V
 Operating Temperature: -40°C~+85°C
 Contact Material: Phosphor Bronze
 Insulator Material: High Temperature
 Termoplasttic, UL94V-0
 Color: Natural
 Finish: Gold Plated
 Standard: Gold Flash all over

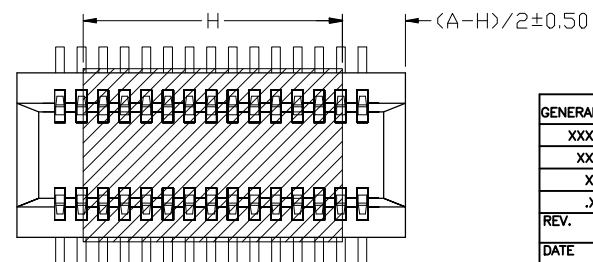
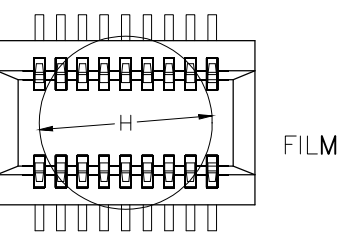
MPAS6-XX XX X X-FG

S= Straight
 ND. OF CONTACTS

FG: RoHS Compliant
 Packaging:
 K: Reel(w/o Film)
 C: Film&Reel
 E: MPAd&Tube
 B: MPAd&Reel

PLATING

Definition	Code
● Gold plated:	
flash VB	10μ" VE
	15μ" VF
● Standard: VB	



APTOS Technology CONFIDENTIAL
 This document, and all information it contains, are the confidential, proprietary property of APTOS Technology. Disclosure, duplication or distribution of this document, or any information it contains, in whole or part, without prior written permission from APTOS Technology is strictly prohibited

GENERAL TOLERANCE UNLESS OTHERWISE SPECIFIED	
XXX. ± X	.XX ± 0.10
XX. ± X	.XXX ± X
X. ± 0.50	X.' ± 1"
.X ± 0.30	.X' ± X"

REV.	A	DRAWN	09/15/09
DATE	09/15/09	CHECKED	
SCALE	As shown	APPROVED	
UNIT	mm		

APTOS TECHNOLOGY

MPAS6 Series
 0.5mm Board to Board
 PRODUCT NO. MPAS6-XXXXXX-FG
 FILE NAME: MPAS6-XXXXXX-FG.dwg