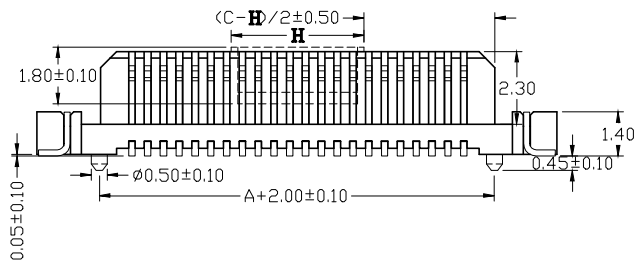
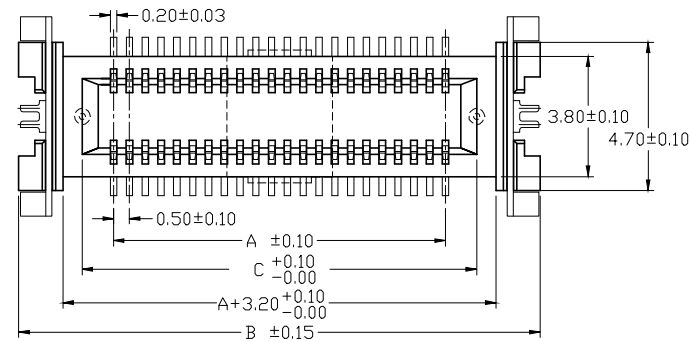
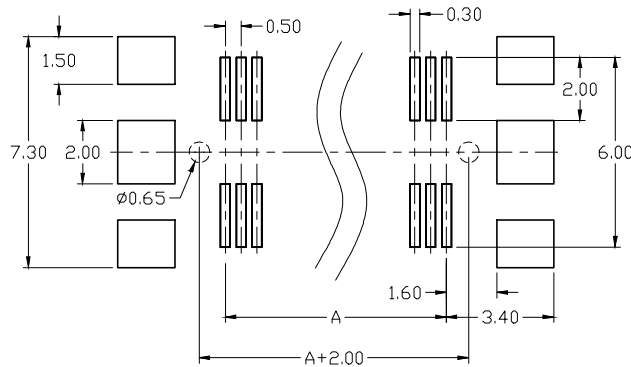


	1	2	3	4	5	6	7	8	9	10	
CIRCUITS	DIM A	DIM B	DIM C	REMARK							
A	10	2.00	8.00	3.98	W Peg/WO Peg						
	12	2.50	8.50	4.48	⊕						
	14	3.00	9.00	4.98							
	16	3.50	9.50	5.48							
	18	4.00	10.00	5.98							
	20	4.50	10.50	6.48	⊕						
	22	5.00	11.00	6.98							
	24	5.50	11.50	7.48							
B	26	6.00	12.00	7.98	⊕						
	28	6.50	12.50	8.48							
	30	7.00	13.00	8.98	⊕ ⊗						
	32	7.50	13.50	9.48							
	34	8.00	14.00	9.98							
	36	8.50	14.50	10.48	⊕						
	38	9.00	15.00	10.98							
	40	9.50	15.50	11.48	⊕						
	42	10.00	16.00	11.98							
	44	10.50	16.50	12.48	⊕						
C	46	11.00	17.00	12.98							
	48	11.50	17.50	13.48							
	50	12.00	18.00	13.98	⊕						
	52	12.50	18.50	14.48							
	54	13.00	19.00	14.98							
	56	13.50	19.50	15.48							
	58	14.00	20.00	15.98							
	60	14.50	20.50	16.48	⊕						
	62	15.00	21.00	16.98							
D	64	15.50	21.50	17.48							
	66	16.00	22.00	17.98							
	68	16.50	22.50	18.48							
	70	17.00	23.00	18.98	⊕						
	72	17.50	23.50	19.48							
	74	18.00	24.00	19.98							
	76	18.50	24.50	20.48							
	78	19.00	25.00	20.98							
	80	19.50	25.50	21.48	⊕						
E	82	20.00	26.00	21.98							
	84	20.50	26.50	22.48							
	86	21.00	27.00	22.98							
	88	21.50	27.50	23.48							
	90	22.00	28.00	23.98							
	92	22.50	28.50	24.48							
	94	23.00	29.00	24.98							
	96	23.50	29.50	25.48							
	98	24.00	30.00	25.98							
F	100	24.50	30.50	26.48							
	120	29.50	35.50	31.48	⊕						



Recommended PCB Layout
(PCB TOLERANCE ±0.05)



SPECIFICATIONS

Current Rating: 0.3 Amps AC/DC Max.
 Insulator Resistance: 100 Megohms min.
 Contact Resistance: 60m ohm Max.
 Dielectric withstanding: AC 500V
 Contact Material: Phosphor Bronze
 Operating Temperature: -40°C~+85°C
 Insulator Material: High Temp Thermoplastic
 UL 94V-0
 Color: Natural
 Finish: Gold Plated
 Standard: Gold Flash all over

MPAS3-XX XX X X-FG

S=Straight

FG: RoHS Compliant

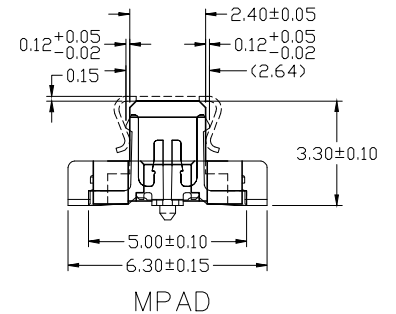
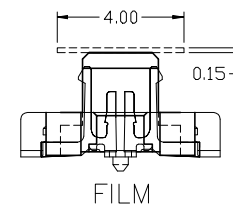
NO. OF CONTACTS

PLATING

Definition	Code
⊕ Gold plated:	
flash VB	15μ" VF
	30μ" VJ
⊕Standard:	VB

Packaging:
 K:Reel(w/o Film)
 C:Film&Reel
 B:MPad&Reel
 E:MPad&Tube
 F:Film&Tube

0:W/O Locating Peg
 1:With Locating Peg



GENERAL TOLERANCE UNLESS OTHERWISE SPECIFIED

XXX. ± X	.XX ± 0.10
XX. ± X	.XXX ± X
X. ± 0.50	X' ± 1"
.X ± 0.30	.X' ± X'



Diagram	Molding description
○	mass production & assemble mold
⊙	sample & assemble mold
⊕	mass production & fix mold
⊕	sample & fix mold

	H
KT011	6.00
MPAD0014	4.20

APTOS Technology CONFIDENTIAL
 This document, and all information it contains, are the confidential, proprietary property of APTOS Technology. Disclosure, duplication or distribution of this document, or any information it contains, in whole or part, without prior written permission from APTOS Technology is strictly prohibited

REV.	A	DRAWN	09/15/09
DATE	09/15/09	CHECKED	
SCALE	As shown	APPROVED	
UNIT	mm		

REV.	A	DRAWN	09/15/09
DATE	09/15/09	CHECKED	
SCALE	As shown	APPROVED	
UNIT	mm		

MPAS3 Series
 0.5mm Board to Board Plug
 PRODUCT NO. MPAS3-XXXXXX-FG
 FILE NAME: MPAS3-XXXXXX-FG.dwg