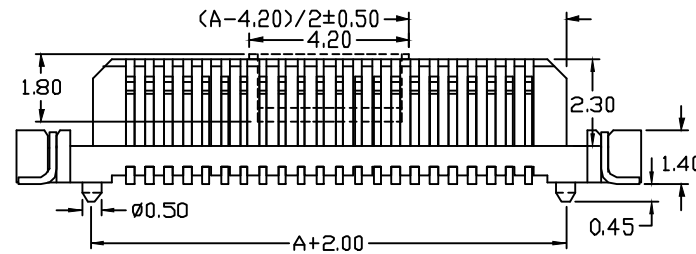
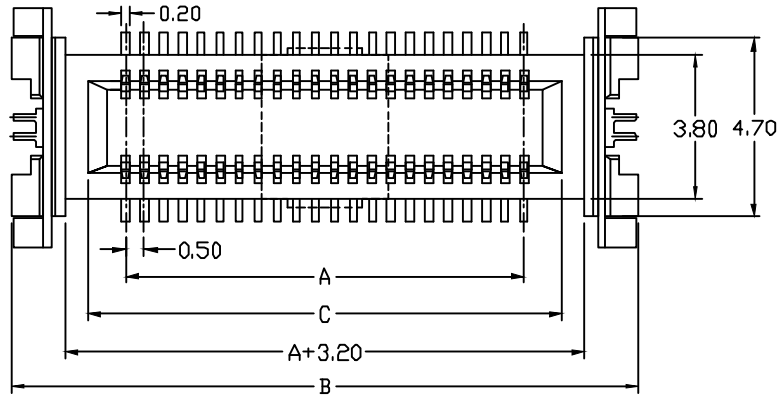


CIRCUITS	DIM A	DIM B	DIM C	REMARK
10	2.00	8.00	3.98	
12	2.50	8.50	4.48	
14	3.00	9.00	4.98	
16	3.50	9.50	5.48	
18	4.00	10.00	5.98	
20	4.50	10.50	6.48	⊕
22	5.00	11.00	6.98	
24	5.50	11.50	7.48	
26	6.00	12.00	7.98	⊕
28	6.50	12.50	8.48	
30	7.00	13.00	8.98	⊕
32	7.50	13.50	9.48	
34	8.00	14.00	9.98	
36	8.50	14.50	10.48	
38	9.00	15.00	10.98	
40	9.50	15.50	11.48	
50	12.00	18.00	13.98	
60	14.50	20.50	16.48	
70	17.00	23.00	18.98	
80	19.50	25.50	21.48	
90	22.00	28.00	23.98	
100	24.50	30.50	26.48	
110	27.00	33.00	28.98	
120	29.50	35.50	40.48	



SPECIFICATIONS

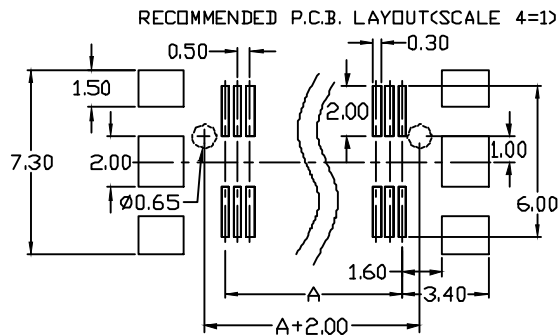
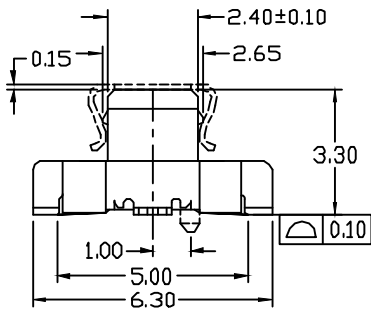
Current Rating: 0.3 Amps AC/DC Max.
 Insulator Resistance: 100 Megohms min.
 Contact Resistance: 60m ohm Max.
 Dielectric withstanding: AC 500V
 Contact Material: Phosphor Bronze
 Operating Temperature: -40°C~+85°C
 Insulator Material: High Temp Thermoplastic UL 94V-0
 Finish: Gold Plated
 Standard: Gold Flash all over

MPAS01-XX XX X X-FG

S= Straight
 NO. OF CONTACTS
 PLATING
 FG: RoHS Compliant
 Packaging:
 B:MPad&Reel
 E:MPad&Tube
 1:With Locating Peg

Definition	Code
● Gold plated:	
flash VB	15μ" VF
	30μ" VJ
● Standard:	VB

Diagram	Molding description
○	mass production & assemble mold
⊙	sample & assemble mold
⊕	mass production & fix mold
⊕	sample & fix mold



APTOS Technology CONFIDENTIAL
 This document, and all information it contains, are the confidential, proprietary property of APTOS Technology. Disclosure, duplication or distribution of this document, or any information it contains, in whole or part, without prior written permission from APTOS Technology is strictly prohibited.

GENERAL TOLERANCE UNLESS OTHERWISE SPECIFIED	
XXX. ± X	.XX ± 0.10
XX. ± X	.XXX ± X
X. ± 0.50	X.' ± 1"
.X ± 0.30	.X' ± X"

REV. A	DRAWN	09/15/09
DATE 09/15/09	CHECKED	
SCALE As shown	APPROVED	
UNIT mm		

AP APTOS TECHNOLOGY

MPAS01 Series
 0.5mm Board to Board Plug
 PRODUCT NO. MPAS01-XXXXXX-FG
 FILE NAME MPAS01-XXXXXX-FG.dwg