

Modular Jack, Type AA, 8P8C
 With Transformer 100M
Physical:
Housing: High Temperature Thermoplastic
Contact: Phosphor Bronze
Specifications:
Voltage Current Rating: 1.5A, 125V AC
Insulation Resistance: 1000M ohm min
Contact Resistance: 20m ohm max
Dielectric Withstanding Voltage:
 AC 500V For 1 Minute
Temperature Rating: -55°C To +105°C
Wave soldering process (Pb free)
 peak temp. :260±5°C
Conveyor speed requirement:
 80cm/min (Minimum)

MJA 1 1 0 VD1 FG
 1 2 3 4 5 6

1. SERIES NO.
MJA=Modular Jack
2. Pin Style:
1=Stamped Pin
3. Panel:
1=With Panel Ground
4. Color:
0=Black
5. LED
VD1=Selective Gold Plated 6u"
6. Green Options:
FG=RoHS Compliant

③	TERMINAL	Phosphor Bronze	Au-Plating
②	HOUSING	NY 66	BLACK
①	SHELL	Copper Alloy	Ni-Plating
NO.	PART NAME	MATERIAL	STATUS

GENERAL TOLERANCE UNLESS OTHERWISE SPECIFIED	
XXX. ± X	.XX ± 0.10
XX. ± X	.XXX ± X
X. ± 0.50	X. ± 1"
.X ± 0.30	.X ± X"
REV. A	DRAWN
DATE 09/15/09	CHECKED
SCALE As shown	APPROVED
UNIT mm	

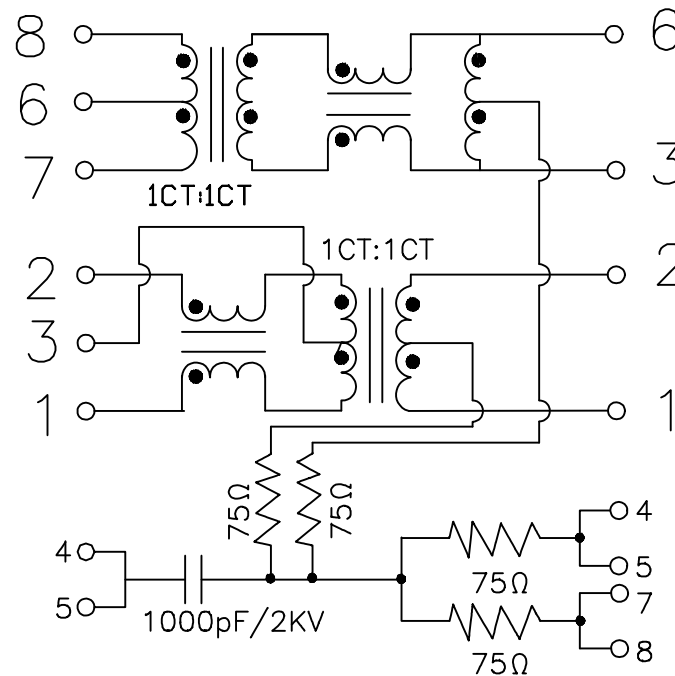


LED TABLE

CODE	LEFT COLOR	RIGHT COLOR
Polarity	P9 ± D = P10	P9 = K ± P10
	P11 ± D = P12	P11 = K ± P12
3A	GREEN	YELLOW

APTOS Technology CONFIDENTIAL
 This document, and all information it contains, are the confidential, proprietary property of APTOS Technology. Disclosure, duplication or distribution of this document, or any information it contains, in whole or part, without prior written permission from APTOS Technology is strictly prohibited

MJA Series	
Modular Jack, Type F4, 8P8C	
Transformer 100MB	
PRODUCT NO.	MJA-110VD1-FG
FILE NAME:	MJA-110VD1-FG.dwg



PART NO.	Electrical Specifications @25°C								
Part Number	Turns Ratio (±2%)		OCL (uH Min.) @100 KHz/0.1V with 8mA DC Bias	Cross talk (dB Min.)				Hi-POT 1.0 mA (V)	
	TX	RX		0.5-10 MHz	30 MHz	50 MHz	100 MHz	WITHOUT CAPACITANCE	WITH CAPACITANCE
MJA-110VD1-FG	1CT:1CT	1CT:1CT	350	-50	-40	-35	-30	1500 AC	2250 DC

PART NO.	Continue							
Part Number	Insertion Loss (dB Max.)		Return Loss (dB Min.) @ Load 100 OHM					CMR (dB Min.)
	1-100 MHz	100-125 MHz (10/100/1000)	1-30 MHz	30-50 MHz	60 MHz	60-80 MHz	80-100 MHz (10/100/1000)	1-100 MHz
MJA-110VD1-FG	-1.0	-1.2	-18	-16	-14	-12	-10	-30

GENERAL TOLERANCE UNLESS OTHERWISE SPECIFIED	
XXX. ± X	.XX ± 0.10
XX. ± X	.XXX ± X
X. ± 0.50	X.* ± 1"
.X ± 0.30	.X* ± X"

REV.	A	DRAWN		6/22/18
DATE	09/15/09	CHECKED		
SCALE	As shown	APPROVED		
UNIT	mm		SIZE	A4



APTOS Technology CONFIDENTIAL
 This document, and all information it contains, are the confidential, proprietary property of APTOS Technology. Disclosure, duplication or distribution of this document, or any information it contains, in whole or part, without prior written permission from APTOS Technology is strictly prohibited

MJA Series
 Modular Jack, Type F4, 8P8C
 Transformer 100MB
 PRODUCT NO. MJA-110VD1-FG
 FILE NAME: MJA-110VD1-FG.dwg