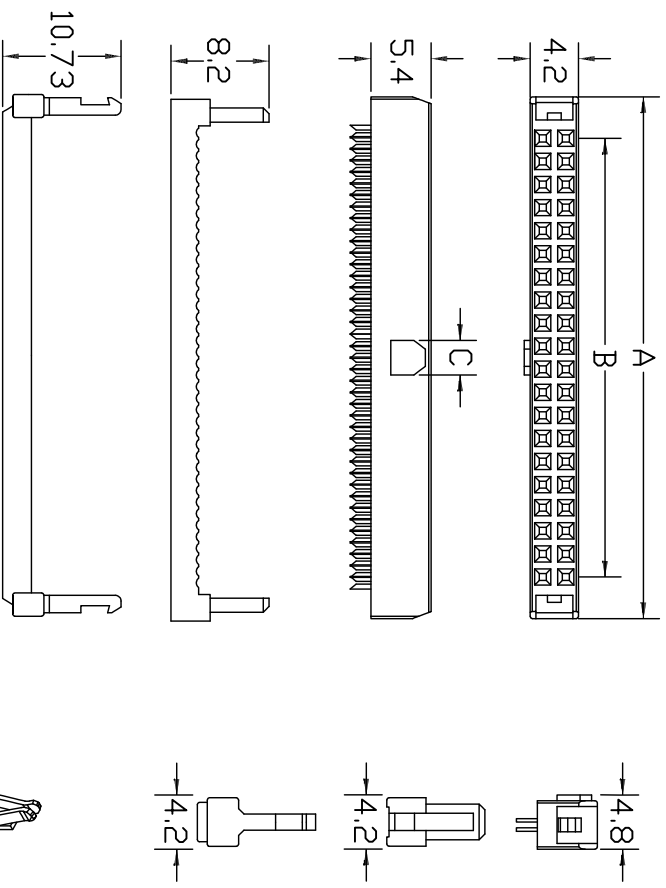
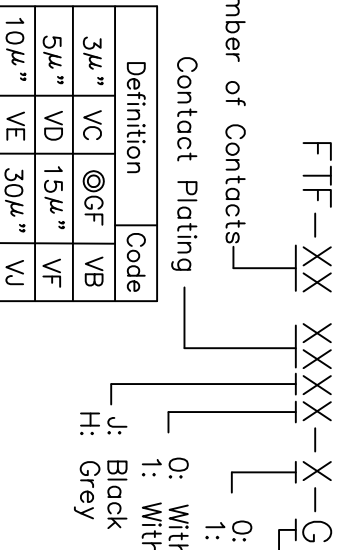


SPECIFICATIONS

Current Rating: 1 Amp
 Insulator resistance: 3000 Megohms min.
 Max Processing Temp: 30 m ohms max.
 Dielectric withstanding: AC 500 V
 Operating Temperature: -40~+105°C
 Contact Material: Phosphor bronze
 Insulator Material: PBT +30% Glass Fiber, UL 94V-0
 ©Standard: P.B.T
 Finish: Gold and Tin Plating



NO.	A	B	C	NO.	A	B	C
06	11.34	4.00	2.00	28	33.34	26.00	2.00
08	13.34	6.00	2.00	30	35.34	28.00	2.00
10	15.34	8.00	2.00	34	39.34	32.00	2.00
12	17.34	10.00	2.00	36	41.34	34.00	2.00
14	19.34	12.00	2.00	38	43.34	36.00	2.00
16	21.34	14.00	2.00	40	45.34	38.00	2.00
18	23.34	16.00	2.00	44	49.34	42.00	2.00
20	25.34	18.00	2.00	48	53.34	46.00	2.00
22	27.34	20.00	2.00	50	55.34	48.00	2.00
24	29.34	22.00	2.00	60	65.34	58.00	2.00
26	31.34	24.00	2.00	64	69.34	62.00	2.00



APTOS Technology CONFIDENTIAL

This document, and all information it contains, are the confidential, proprietary property of APTOS Technology. Disclosure, duplication or distribution of this document, or any information it contains, in whole or part, without prior written permission from APTOS Technology is strictly prohibited.



GENERAL TOLERANCE UNLESS OTHERWISE SPECIFIED	
XXX ± X	.XX ± 0.25
XX ± X	.XX ± 0.13
X ± X	X' ± 5'
.X ± 0.38	X' ± 2'

REV. A	DRAWN	01/09/06	FTF Series
DATE 01/09/06	CHECKED		2.00 mm IDC Ribbon Connector
SCALE 2:1	APPROVED		PRODUCT NO: FTTF-XX-X-X-*
UNIT mm			FILE NAME: FTTF LF APD.DWG