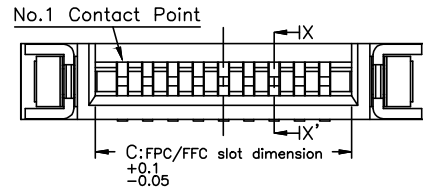
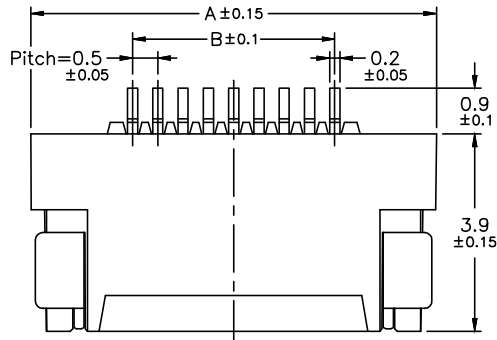
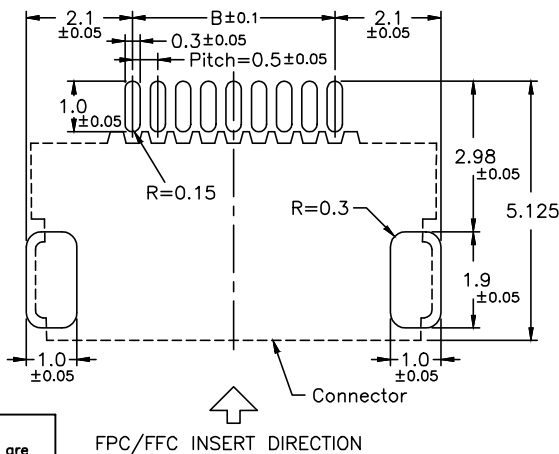


No. of Contacts	DIM. A	DIM. B	DIM. C
4	5.53	1.5	2.57
5	6.03	2	3.07
6	6.53	2.5	3.57
7	7.03	3	4.07
8	7.53	3.5	4.57
9	8.03	4	5.07
10	8.53	4.5	5.57
11	9.03	5	6.07
12	9.53	5.5	6.57
13	10.03	6	7.07
14	10.53	6.5	7.57
15	11.03	7	8.07
16	11.53	7.5	8.57
17	12.03	8	9.07
18	12.53	8.5	9.57
19	13.03	9	10.07
20	13.53	9.5	10.57
21	14.03	10	11.07
22	14.53	10.5	11.57
23	15.03	11	12.07
24	15.53	11.5	12.57
25	16.03	12	13.07
26	16.53	12.5	13.57
27	17.03	13	14.07
28	17.53	13.5	14.57
29	18.03	14	15.07
30	18.53	14.5	15.57
31	19.03	15	16.07
32	19.53	15.5	16.57
33	20.03	16	17.07
34	20.53	16.5	17.57
35	21.03	17	18.07
36	21.53	17.5	18.57
37	22.03	18	19.07
38	22.53	18.5	19.57
39	23.03	19	20.07
40	23.53	19.5	20.57
41	24.03	20	21.07
42	24.53	20.5	21.57
43	25.03	21	22.07
44	25.53	21.5	22.57
45	26.03	22	23.07
46	26.53	22.5	23.57
47	27.03	23	24.07
48	27.53	23.5	24.57
49	28.03	24	25.07
50	28.53	24.5	25.57
51	29.03	25	26.07
52	29.53	25.5	26.57
53	30.03	26	27.07
54	30.53	26.5	27.57
55	31.03	27	28.07
56	31.53	27.5	28.57
57	32.03	28	29.07
58	32.53	28.5	29.57
59	33.03	29	30.07
60	33.53	29.5	30.57

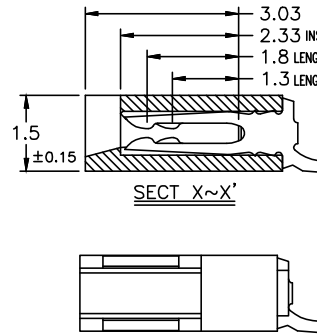
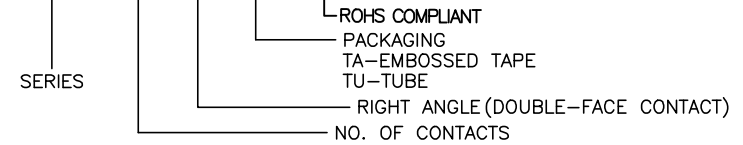


PCB Layout

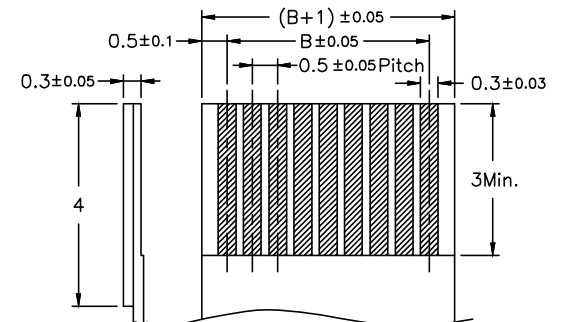


1. MATERIAL:
INSULATOR: THERMOPLASTIC
CONTACTS: BRASS
SOLDER PAD: BRASS
2. CONTACTS FINISH: TIN OVER NICKEL
SOLDER PAD FINISH: TIN OVER NICKEL
3. CURRENT RATING: 0.4A MAX.
4. VOLTAGE RATING: 50V MAX.
5. DIELECTRIC WITHSTANDING VOLTAGE: 250Vrms.

FS15-XX-R-XX-FG



Applicable FPC



GENERAL TOLERANCE UNLESS OTHERWISE SPECIFIED

XXX. ± X	.XX ± 0.10
XX. ± X	.XXX ± X
X. ± 0.50	X' ± 1'
.X ± 0.30	.X' ± X'

APTOS TECHNOLOGY

REV. A	DRAWN	09/15/09
DATE 09/15/09	CHECKED	
SCALE As shown	APPROVED	
UNIT mm		

FS15 Series	
0.5mm Pitch FPC/FFC Connector	
PRODUCT NO.	FS15-XX-R-XX-FG
FILE NAME:	FS15-XX-R-XX-FG.dwg

APTOS Technology CONFIDENTIAL
 This document, and all information it contains, are the confidential, proprietary property of APTOS Technology. Disclosure, duplication or distribution of this document, or any information it contains, in whole or part, without prior written permission from APTOS Technology is strictly prohibited