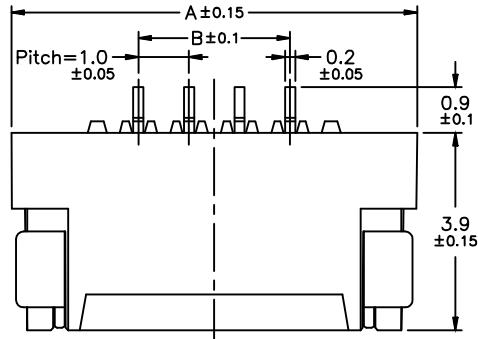


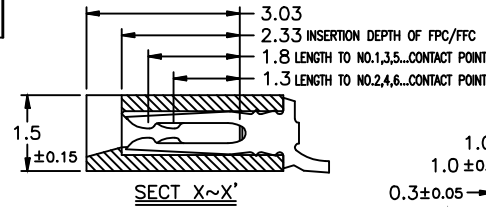
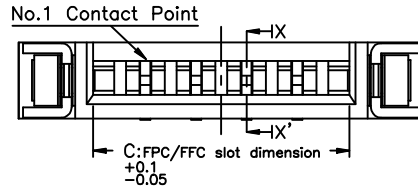
No. of Contacts	Catalog Number	DIM. A	DIM. B	DIM. C
4	BL123-4R	8.03	3	5.07
5	BL123-5R	9.03	4	6.07
6	BL123-6R	10.03	5	7.07
7	BL123-7R	11.03	6	8.07
8	BL123-8R	12.03	7	9.07
9	BL123-9R	13.03	8	10.07
10	BL123-10R	14.03	9	11.07
11	BL123-11R	15.03	10	12.07
12	BL123-12R	16.03	11	13.07
13	BL123-13R	17.03	12	14.07
14	BL123-14R	18.03	13	15.07
15	BL123-15R	19.03	14	16.07
16	BL123-16R	20.03	15	17.07
17	BL123-17R	21.03	16	18.07
18	BL123-18R	22.03	17	19.07
19	BL123-19R	23.03	18	20.07
20	BL123-20R	24.03	19	21.07
21	BL123-21R	25.03	20	22.07
22	BL123-22R	26.03	21	23.07
23	BL123-23R	27.03	22	24.07
24	BL123-24R	28.03	23	25.07
25	BL123-25R	29.03	24	26.07
26	BL123-26R	30.03	25	27.07
27	BL123-27R	31.03	26	28.07
28	BL123-28R	32.03	27	29.07
29	BL123-29R	33.03	28	30.07
30	BL123-30R	34.03	29	31.07



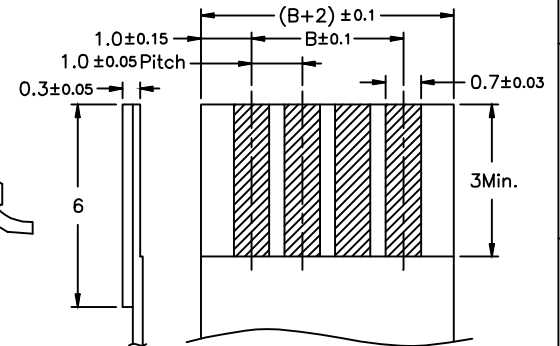
- 1.MATERIAL:
INSULATOR:THERMOPLASTIC
CONTACTS:BRASS
SOLDER PAD:BRASS
- 2.CONTACTS FINISH:TIN OVER NICKEL
SOLDER PAD FINISH:TIN OVER NICKEL
- 3.CURRENT RATING:0.5A MAX.
- 4.VOLTAGE RATING:50V MAX.
- 5.DIELECTRIC WITHSTANDING VOLTAGE:500Vrms.

FJ15-XX-R-XX-FG

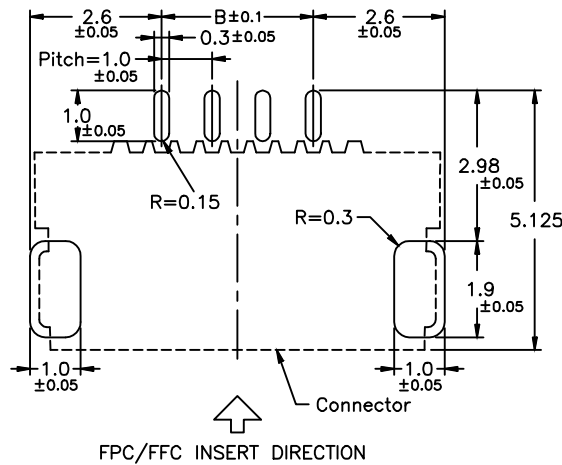
SERIES
 ROHS COMPLIANT
 PACKAGING
 TA-EMBOSSED TAPE
 TU-TUBE
 RIGHT ANGLE (DOUBLE-FACE CONTACT)
 NO. OF CONTACTS



Applicable FPC



PCB Layout



GENERAL TOLERANCE UNLESS OTHERWISE SPECIFIED	
XXX. ± X	.XX ± 0.10
XX. ± X	.XXX ± X
X. ± 0.50	X' ± 1"
.X ± 0.30	.X' ± X'

REV. A	DRAWN	09/15/09
DATE 09/15/09	CHECKED	
SCALE As shown	APPROVED	
UNIT mm		SIZE A4

APTOS TECHNOLOGY

FJ15 Series
1.0mm Pitch FPC/FFC Connector
PRODUCT NO. FJ15-XX-R-XX-FG
FILE NAME: FJ15-XX-R-XX-FG.dwg

APTOS Technology CONFIDENTIAL
This document, and all information it contains, are the confidential, proprietary property of APTOS Technology. Disclosure, duplication or distribution of this document, or any information it contains, in whole or part, without prior written permission from APTOS Technology is strictly prohibited