

Part no. DWPH 1 XX P 0 X G D -FG
 1 2 3 4 5 6 7 8 9

1.SERIES NO.
 2.INSULATOR COLOR:
 1=BLACK
 3.CONTACT NUMBER:
 09 15 25 37 50
 4.CONTACT TYPE:
 P=NON DISTRIBUTION
 5.SHELL PLATING:
 O=W/O SHELL
 6.TYPE:
 0=HOOD W/O LOGO
 1=HOOD W/LOGO

7.APPLY TYPE
 G=D-SUB
 8.PACKING STYLE:
 D=BAG
 9.GREEN OPTION:
 FG=ROHS

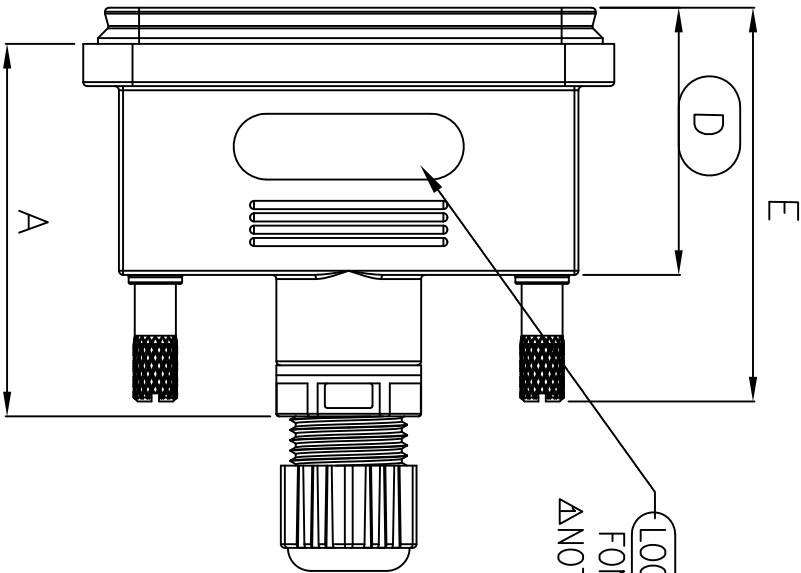
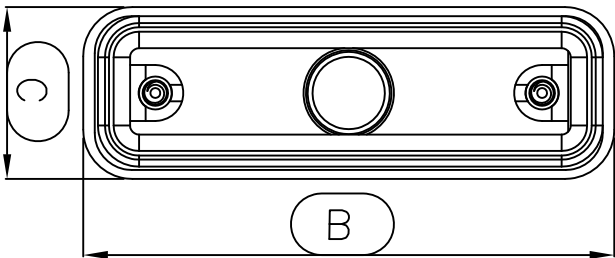
編號	品名	材質
1	迫緊螺帽	PA66無纖
2	軟膠3	Silicone
3	卡槽螺絲L(4#40牙)	CU
4	線束螺母	PA66無纖
5	軟膠2	Silicone
6	軟膠4	Silicone
7	防水外殼	PC+ABS
8	軟膠1	Silicone

For SIP
 For cmk/cpk

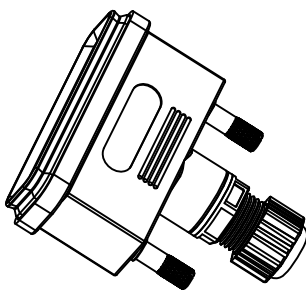
UNLESS OTHERWISE SPECIFIED TOLERANCE
 ANG. ±5°
 0.0 ±0.5
 .00 ±0.3
 .00 ±0.2



A	ECN-1309025(Pearl)Old P/N:349AEXXP00030XD3 Change NEW P/N:DWPH1XXPOXGD	09/13/13	13	DRAWN	PEARL	09/13/13	DRAWN NAME:	APTOS TECHNOLOGY
B	ECN-1111104(Helen) Δ(7,D)&Add DWG. 3/3	11/29/11	11	CHECKED			D-SUB WATER PROOF HOOD	1/3
A	ECN-1110055(Jayd)	10/21/11	11	APPROVED			PRODUCT NO: DWPH1XPOXGD-FG	
REV.		DATE			SIZE	REV.	FILE NAME:	DWP H LF APD(J01)
1					A4	C		
DESCRIPTION								



LOGO
FONT: Arial
ANOTE:10



PIN. NO	A	B	C	D	E
09 PIN	39.10	42.7	21.0	32.9	48.2
15 PIN	39.10	51.1	20.9	32.9	48.2
25 PIN	39.10	64.8	20.9	32.9	48.2
37 PIN	39.10	81.1	20.9	32.6	47.9
50 PIN	39.10	78.9	23.9	32.6	47.9

For SIP
For smk/cpk

UNLESS OTHERWISE SPECIFIED TOLERANCE
ANG. 0, .00
±0.5
±0.3
±0.2
SCALE: AS SHOWN UNIT: MM



REV.	1	2	3	4	5	6	7	8	9	10
DESCRIPTION										
A	ECN-1110055(Juvd)									
B	ECN-1111104(Helen) Δ(6,E)&Add DWG. 3/3									
C	ECN-1309025(Pearl) Old P/N:349AEXXP00030XD3 Change NEW P/N:DWPH1XXPOXGD-FG									
DATE	10/21/11	11/29/11		09/13/13		09/13/13		09/13/13		
DRAWN	PEARL	CHECKED		DRAWN		DRAWN		DRAWN		
APPROVED										
SIZE	A4									
REV.	C									
PRODUCT NO.	DWP11XXPOXGD-FG									
FILE NAME:	DWPH LF APD(01)									
DRAWN NAME:	D-SUB WATER PROOF HOOD 2/3									
APTOS TECHNOLOGY										

