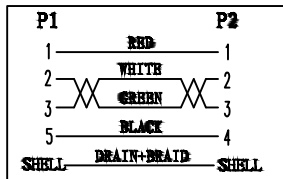


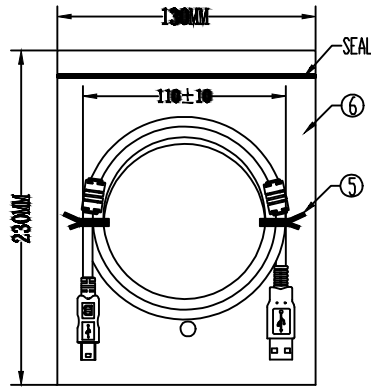
CABLE WHITE PRINT
 HI-SPEED USB Revision 2.0 SHIELDED 28AWG/1P+28AWG/2C
 E189529 AWM STYLE 2725 80°C 30V VW-1 VEGA TECH

PIN ASSIGNMENT:



Electrical test:

1. 100% short, open, miswire test
2. Conduct resistance: 2 Ohm(max)
3. Insulation resistance: 10Mohm(min)
4. dielectric test: DC 300V



1PCS/PE BAG

Part no.

CBLB 22 U2 M 3 FG
 1 2 3 4 5 6

1. SERIES NO.
CBLB=USB A/Mini B Cable
2. PIN COUNT
22=CNI 22 PINS
3. CONNECTOR 1
U2=USB A

4. CONNECTOR 2
M=MINI USB
5. COLOR
3=BLACK
6. GREEN OPTION
FG=RoHS Compliant

⑧	OUT JACKET	14.5g	BLACK 45P PVC (MOLD NO:CH003)
	FERRITE	2	CORE OD12*5.6*L20 BLACK
⑦	PE BAG	1/10	CLEAR SIZE: 200*300*0.05mm PRINT BLACK*MADE IN CHINA*10PCS
⑥	PE BAG	1	CLEAR SIZE: 130*220*0.05mm PRINT BLACK*MADE IN CHINA*1PC
⑤	TIE	1	BLACK L=80mm
④	OUT JACKET	12g	BLACK PVC-50P (MOULD NO:WM-40 & WM-88)
③	CABLE	1	BLACK USB2.0 UL2725 28#/1P+28#/2C+AEB OD:3.8mm
②	CONN	1set	USB2.0 A TYPE MALE SHELL:NICKEL PIN:G/F 4PCS TYPE INSULATOR COLOR:WHITE
①	CONN	1set	USB2.0 MINI B TYPE MALE SHELL:NICKEL PIN:G/F 3PCS INSULATOR COLOR:BLACK
NO.	NAME	Q'TY	SPECIFICATION

APTOS Technology CONFIDENTIAL
 This document, and all information it contains, are the confidential, proprietary property of APTOS Technology. Disclosure, duplication or distribution of this document, or any information it contains, in whole or part, without prior written permission from APTOS Technology is strictly prohibited

UNLESS OTHERWISE SPECIFIED TOLERANCE	
ANG.	± 5°
0.	± 0.5
.0	± 0.3
.00	± 0.2

APTOS TECHNOLOGY

SCALE:	AS SHOWN	UNIT:	mm
--------	----------	-------	----

DRAWN	JAG	3/22/2017	DRAWN NAME:	USB A/Mini B Cable
-------	-----	-----------	-------------	--------------------

CHECKED		/ /	PRODUCT NO.	CBLB22U2M3-FG
---------	--	-----	-------------	---------------

APPROVED		/ /	FILE NAME:	CBLB22U2M3-FG.dwg
----------	--	-----	------------	-------------------

NO.	DESCRIPTION	DATE	SIZE	A4	REV.	A
B	Remove Labels on plastic bag	3/28/2018				
A	ECN-1312059(PDR-13073)	12/30/2013				