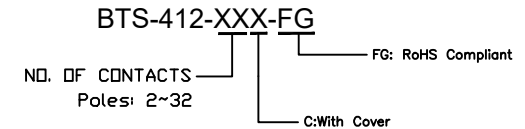
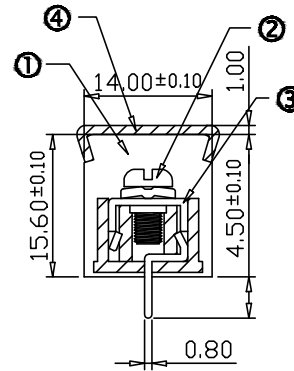
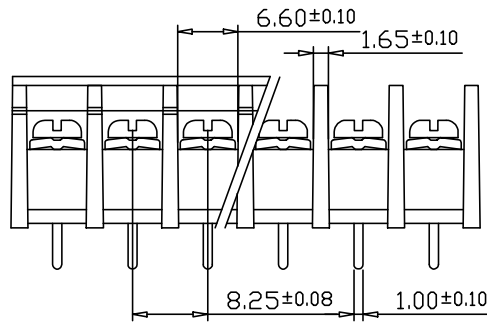
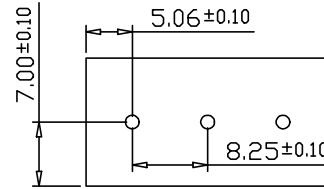
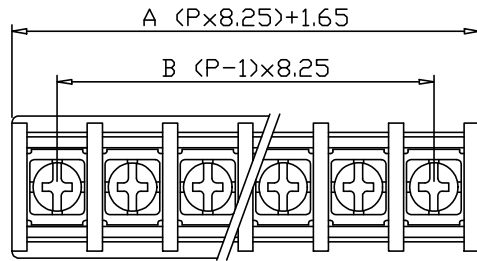


SPECIFICATIONS

- Screws Torque: 8 In-Lb
 Wire Range: 16-22 AWG
 Current Rating: 10 Amps/AC250 V
 Operation Temperature: -55~+95°C
 Insulation Withstanding: AC2000V Min
 Insulator Resistance: >1000MΩ or more at DC500V
- ① Housing Material: Polyamide 66(UL94V-0),Black
 - ② Screw: M3.0 Nickel Plated Steel
 - ③ Terminals: Tin Plated Brass
 - ④ Cover: PC Transparent



Tolerance ± 0.5

Poles	02	03	04	05	06	07	08	09	10	11	12	13
Dim A	18.15	26.40	34.65	42.90	51.15	59.40	67.65	75.90	84.15	92.40	100.65	108.90
Dim A	8.25	16.5	24.75	33	41.25	49.50	57.75	66	74.25	82.5	90.75	99
Poles	14	15	16	17	18	19	20	21	22	23	24	25
Dim A	117.15	125.40	133.65	141.90	150.15	158.40	166.65	174.90	183.15	191.40	199.65	207.90
Dim B	107.25	115.50	123.75	132	140.25	148.50	156.75	165	173.25	181.50	189.75	198

Poles	26	27	28	29	30	31	32
Dim A	216.15	224.40	232.65	240.90	249.15	257.40	265.65
Dim B	206.25	214.5	222.75	231	239.25	247.50	255.80

APTOS Technology CONFIDENTIAL
 This document, and all information it contains, are the confidential, proprietary property of APTOS Technology. Disclosure, duplication or distribution of this document, or any information it contains, in whole or part, without prior written permission from APTOS Technology is strictly prohibited.

GENERAL TOLERANCE UNLESS OTHERWISE SPECIFIED	
XXX. ± X	.XX ± 0.10
XX. ± X	.XXX ± X
X. ± 0.50	X' ± 1'
.X ± 0.30	.X' ± X'
REV. A	DRAWN JG
DATE 01/09/17	CHECKED
SCALE As shown	APPROVED
UNIT mm	



01/09/17	BTS-412 Series Barrier Type Terminal Block
PRODUCT NO. BTS-412-XXX-FG	
FILE NAME: BTS-412-XXX-FG.dwg	SIZE A4