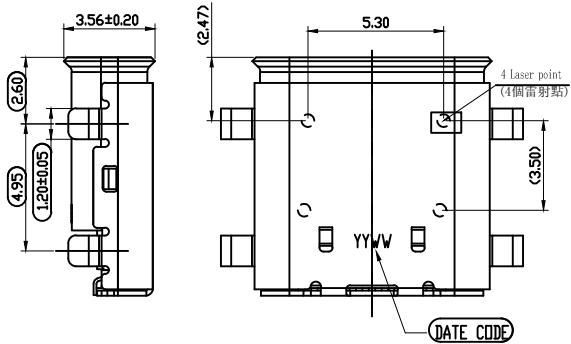
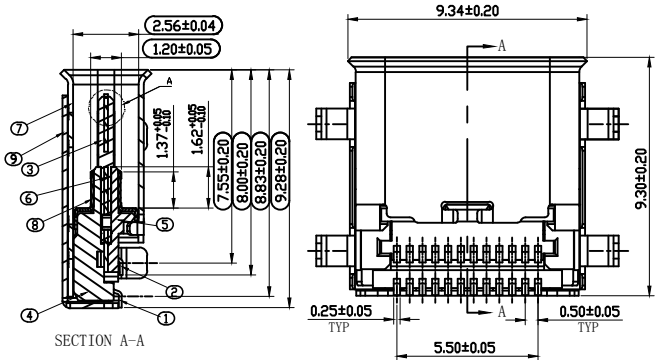


DATE CODE : YY WW
 YEAR _____
 EX.15=2015
 WEEK CODE _____

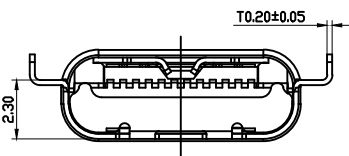
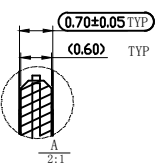
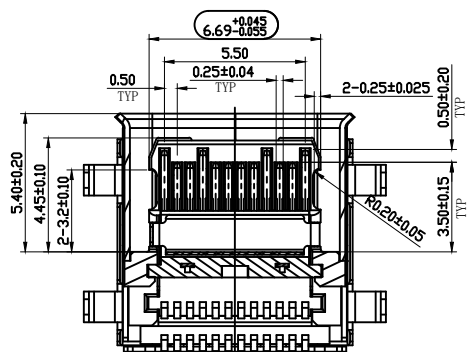
SPECIFICATIONS

Current Rating: 5 Amps
 Insulator Resistance: 100 Megohms Min @ 100 VAC
 Voltage Rating: 20V
 Dielectric withstanding: 100V AC
 Operating Temperature: -40°C~+105°C
 Mating Cycle: 10000 Cycles
 Contacts: Copper
 Shell: Stainless Steel
 Under plate: 50u"~100u" Nickel
 Solder Tail Area: 100u"~150u" Tin (Lead Free)
 Contact Area: 15u" Selective Gold
 Insulator Material: Thermoplastic, Black



BPC D 24 F VFT F5 N 1 C C FG
 1 2 3 4 5 6 7 8 9 10 11 12

- 1. SERIES NO. BPC=USB Series
- 2. D=SMT
- 3. CONTACT NUMBER: 24=24 PINS
- 4. CONTACT TYPE: F=FEMALE(LCP)
- 5. CONTACT AREA PLATING: VF=15u" Gold
- 6. SOLDER TAILS AREA PLATING: T=100u"~150u" TIN(Lead Free)
- 7. APPLY TYPE: F5=Mid-Mount Type
- 8. SHELL PLATING: N=Ni
- 9.1=Center Height 0.60mm
- 10. PACKING STYLE: C=Tap&Reel
- 11. INSULATOR COLOR: C=Black+Date Code
- 12. Green Option: FG=RoHS Compliant (Matte)(Halogen Free)



BOM:

9	Over Shell (外殼)	SUS304, T=0.20±0.01mm	silver/Ni	1	
8	EMI Spring (遮蔽片)	SUS301, T=0.10±0.01mm	silver	2	
7	Shell (機殼)	SUS304, T=0.20±0.01mm	Silver/Ni	1	
6	Middle Plate (中隔片)	SUS301, T=0.15±0.01mm	Silver	1	
5	Short Contact Molding (短端子塑膠芯)	LCP E130i UL 94V-0	Black	1	
4	Long Contact Molding (長端子塑膠芯)	LCP E130i UL 94V-0	Black	1	
3	Middle Molding (中隔片塑膠芯)	LCP E130i UL 94V-0	Black	1	
2	Short Contact (短端子)	C18400 T=0.12±0.01mm	Gold/Selective Gold	12	
1	Long Contact (長端子)	C18400 T=0.12±0.01mm	Gold/Selective Gold	12	
No.	Product Name	MATERIAL	Color & Plated	Q'TY	Note

GENERAL TOLERANCE UNLESS OTHERWISE SPECIFIED	
XXX. ± X	.XX ± 0.10
XX. ± X	.XXX ± X
X. ± 0.50	X.' ± 1"
.X ± 0.30	.X' ± X"
REV. A	DRAWN
DATE 09/15/09	CHECKED
SCALE As shown	APPROVED
UNIT mm	SIZE A4

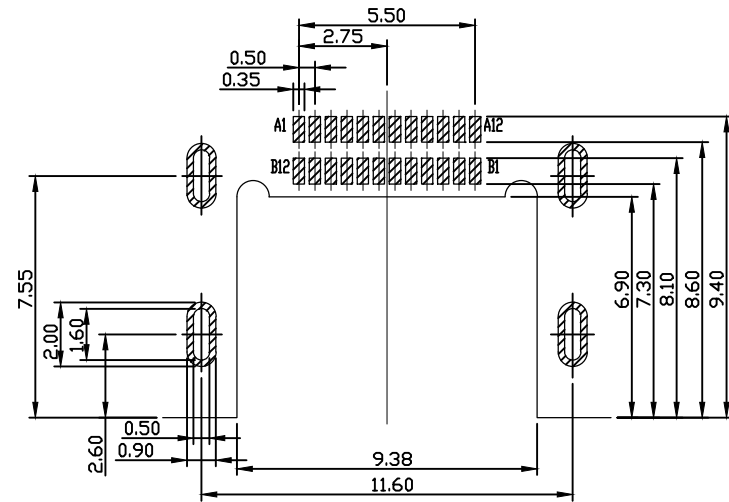


BPC Series
 USB Type C Receptacle (Dual Row-SMT Type)(Center Height 0.60mm)
 PRODUCT NO. BPCD24FVFTF5N1CC-FG
 FILE NAME: BPCD24FVFTF5N1CC-FG.dwg

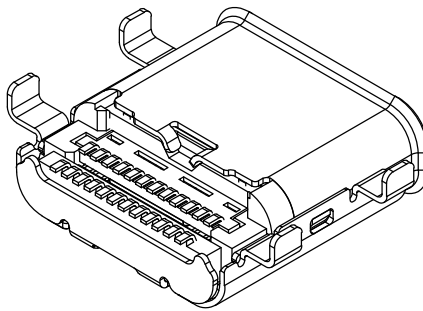
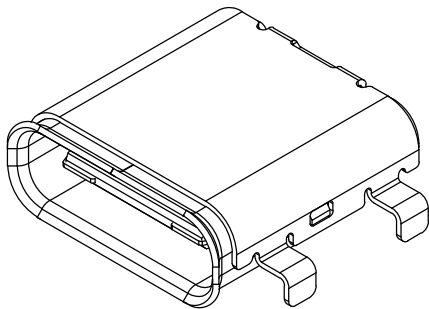
APTOS Technology CONFIDENTIAL
 This document, and all information it contains, are the confidential, proprietary property of APTOS Technology. Disclosure, duplication or distribution of this document, or any information it contains, in whole or part, without prior written permission from APTOS Technology is strictly prohibited

USB TYPE -C Pin Assignments

Pin Number	Signal Name	Pin Number	Signal Name
A1	GND	B12	GND
A2	SSTXp1	B11	SSRXp1
A3	SSTXn1	B10	SSRXn1
A4	VBUS	B9	VBUS
A5	CC1	B8	SBU2
A6	Dp1	B7	Dn2
A7	Dn1	B6	Dp2
A8	SBU1	B5	CC2
A9	VBUS	B4	VBUS
A10	SSRXn2	B3	SSTXn2
A11	SSRXp2	B2	SSTXp2
A12	GND	B1	GND



Recommended PCB
LAYOUT
Tolerance ±0.05
PCB Thickness=1.00mm



APTOS Technology CONFIDENTIAL
This document, and all information it contains, are the confidential, proprietary property of APTOS Technology. Disclosure, duplication or distribution of this document, or any information it contains, in whole or part, without prior written permission from APTOS Technology is strictly prohibited

GENERAL TOLERANCE UNLESS OTHERWISE SPECIFIED	
XXX. ± X	.XX ± 0.10
XX. ± X	.XXX ± X
X. ± 0.50	X.' ± 1"
.X ± 0.30	.X' ± X"

REV. A	DRAWN	09/15/09
DATE 09/15/09	CHECKED	
SCALE As shown	APPROVED	
UNIT mm		SIZE A4



BPC Series
USB Type C Receptacle (Dual Row-SMT Type)(Center Height 0.60mm)
PRODUCT NO. BPCD24FVFTF5N1CC-FG
FILE NAME: BPCD24FVFTF5N1CC-FG.dwg