

SPECIFICATION :

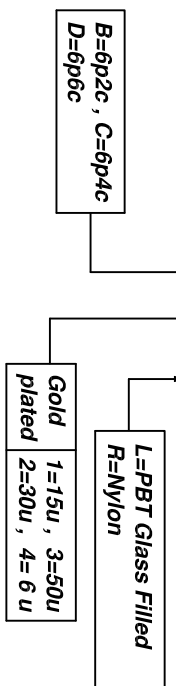
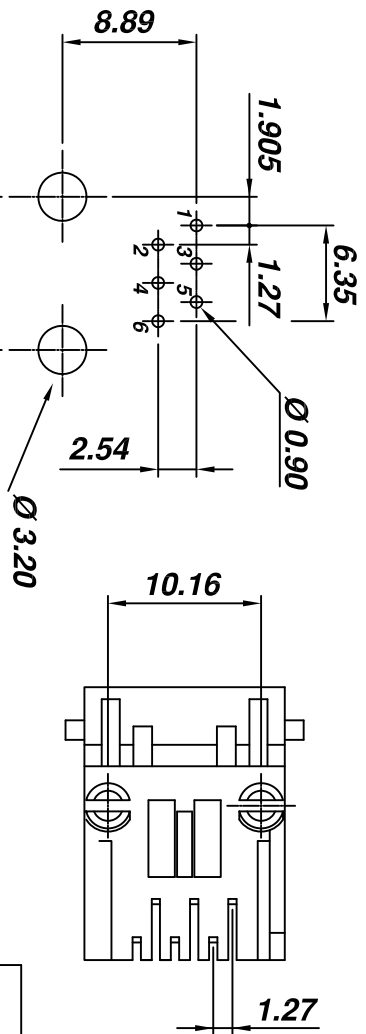
1. Electrical Char.

- Insulation Resistance : 500M-Ohm Min. 500V DC. for 1 minute.
- Contact Resistance : 20milli-Ohm Max.
- Rating Current : 1.5A Max.
- Rating Voltage : 120V AC.
- Dielectric Voltage : 1,000 Vrms at 1MA 60 Sec. Min.

2. Physical char.

- Housing : PBT Glass Filled (UL 94V-0), Soldering Temperature:235°C for 5 Sec.
- Nylon (UL 94V-0), Soldering Temperature:260°C for 5 Sec.
- Color : Black Color
- Spring Wire : 0.35mm Thickness Phosphor bronze Gold Plating Over Nickel
- Temperature Range : - 40°C / +85°C
- Durability : 500 Mating cycles Min.

AMJ-031-6-X-X-L-G



APTOS TECHNOLOGY

AUTHORITY	SIGNATURE	DATE	DESCRIPTION	DWG. NO.	TOLERANCE UNLESS OTHERWISE SPECIFIED
DWN.	JAY	2012.01.11	RJ11 MINI LOW PROFILE GANG JACK	AMJ031-6-X-X-L-G	
CHK.	ALEX	2012.01.11			
APVD.	JACKY	2012.01.11			
DWG KIND:	CUSTOMER	REV.	A 1	SCALE	1:1
					SHEET 1 OF 1

PCB LAYOUT
(Top View)