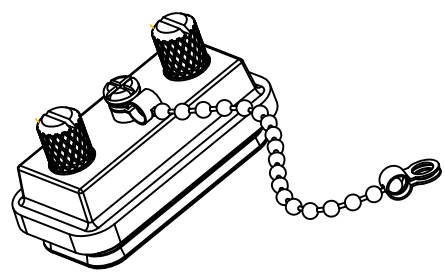


Part no.  

DWPC	1	XX	P	G	0	D	-FG	
	1	2	3	4	5	6	7	8

- 1.SERIES NO.
- 2.INSULATOR COLOR:  
1=BLACK
- 3.CONTACT NUMBER:  
09 15 25 37 50
- 4.CONTACT TYPE:  
P=NON DISTRIBUTION
- 5.APPLY TYPE  
G=D-SUB (DUST CAP)
- 6.SHELL PLATING  
0=W/O SHELL
- 7.PACKING STYLE:  
D=BAG
- 8.GREEN OPTION:  
FG=ROHS

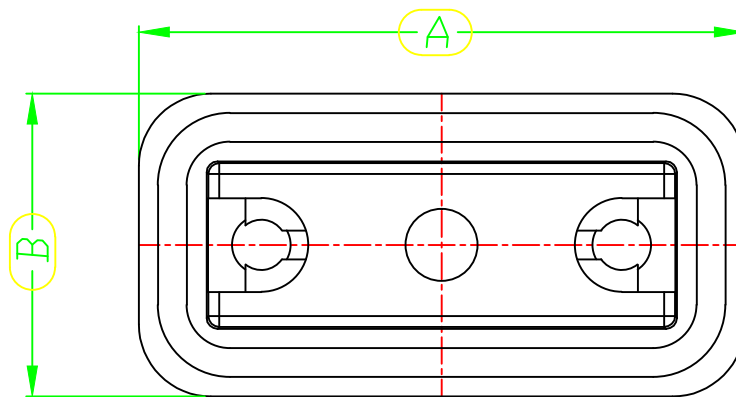
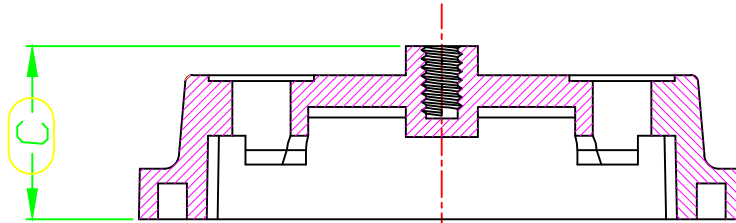
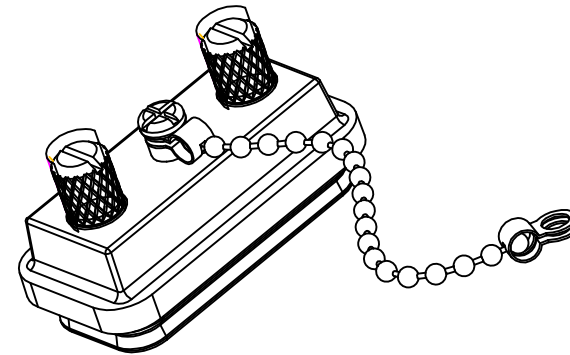
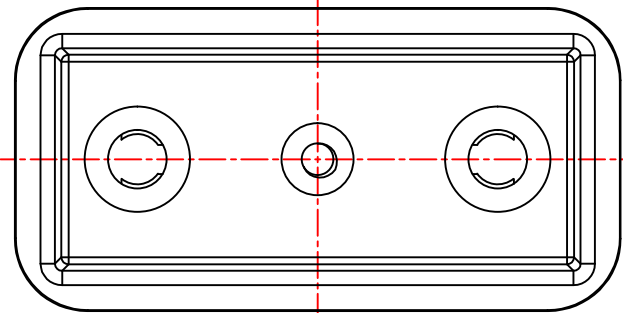


編碼	品名	材質	Plating
1	珠鍊夾子	Stainless,Fe Δ	2u" Nickel Plated Δ
2	卡槽螺絲S	Fe Δ	100u" Nickel Plated Δ
3	螺絲	Fe	100u" Nickel Plated Δ
4	軟膠4	Silicone	
5	上護蓋	PBT	
6	軟膠1	Silicone	

UNLESS OTHERWISE SPECIFIED TOLERANCE  
 ANG. ±5'  
 0. ±0.5  
 .0 ±0.3  
 .00 ±0.2  
 SCALE: AS SHOWN UNIT: mm



REV.	DESCRIPTION	DATE	SIZE	REV.	FILE NAME:
B	ECN-130925(Pearl)Old P/N:349AEXXP000302D3 Change NEW P/N:DWPC1XXPGOD-FG	09/13/13'	A4	B	D-SUB WATER PROOF DUST CAP 1/2
A	ECN-1110055(Java)	10/21/11'			PRODUCT NO. DWPC-1XXPGOD-FG
					FILE NAME: DWPC LF APD(J01)



PIN. NO	A	B	C
09 PIN	42.00	21.00	12.00
15 PIN	50.32	21.00	12.00
25 PIN	64.04	21.00	12.00
37 PIN	80.50	21.00	12.00
50 PIN	78.30	24.00	12.00

UNLESS OTHERWISE SPECIFIED TOLERANCE  
 ANG. ±5°  
 0. ±0.5  
 .0 ±0.3  
 .00 ±0.2

SCALE: AS SHOWN UNIT: mm

DRAWN PEARL 09/13/13

CHECKED / /

APPROVED / /

DATE SIZE A4 REV. B



APTOS TECHNOLOGY

DRAWN NAME: D-SUB WATER PROOF DUST CAP 2/2

PRODUCT NO: DWPC1XXPG0D-FG

FILE NAME: DWPC LF APD(J01)

REV.	DESCRIPTION	DATE
B	ECN-1309025(Pearl)Old P/N:349AEXXP000302D3 Change NEW P/N:DWPC1XXPG0D-FG	09/13/13
A	ECN-1110055(Java)	10/21/11